

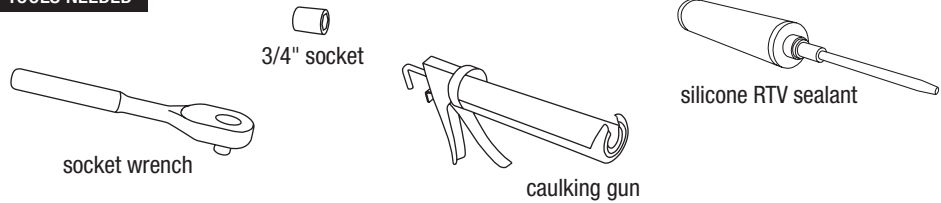
# HELIO™ M30-P1 SECURITY BOLLARD, SERIES 900

## SECURITY BOLLARD WIRING & INSTALLATION INSTRUCTIONS

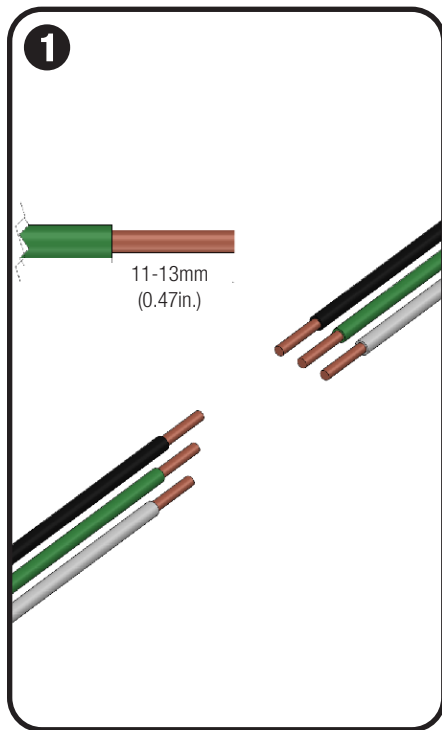
### MATERIALS INCLUDED



### TOOLS NEEDED

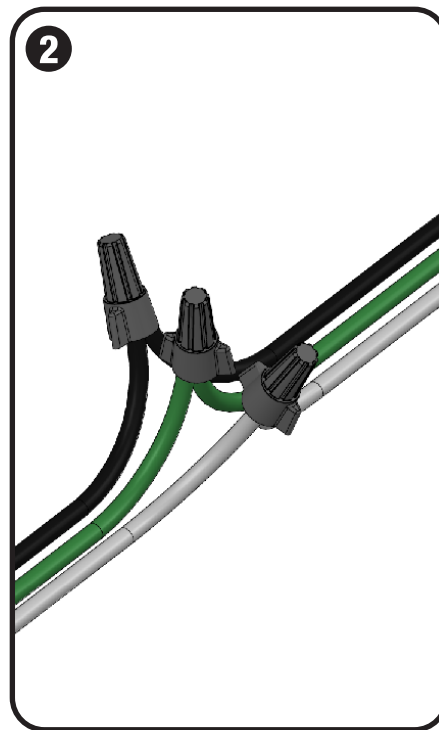


### STEP BY STEP WIRING INSTRUCTIONS FOR ALL ILLUMINATED HELIO BOLLARDS WITH EMBEDDED SECURITY CORES



#### Locate and prepare wires

- Before proceeding with wiring of luminary, check to ensure that all applicable site wiring and safety codes have been followed.
- Locate wires at base of light fixture.
- Ensure power supply is shut off and circuit being used is isolated.
- Prepare wiring from site junction box and bollard by stripping and removing 11-13mm (.47") of insulation.



#### Connect wires

- Insert ground (green), neutral (white), and positive (black) wires into provided wire nuts, being sure to match wire color codes from junction box to bollard.
- Tighten wire nuts until exposed wire ends are below bottom of wire nut.
- Inspect all wiring and connections before.

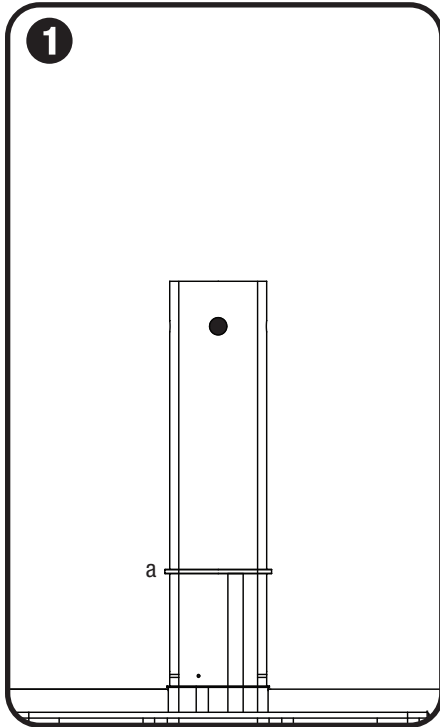
#### NOTES:

- Installation should be performed only by qualified individuals.
- Wire used should be 22-14 AWG copper conductors.
- Caution: Installation of a surge protector as part of each unit's wiring is recommended. Light fixture rated for 120-277 VAC power.

# HELIO™ M30-P1 SECURITY BOLLARD, SERIES 900

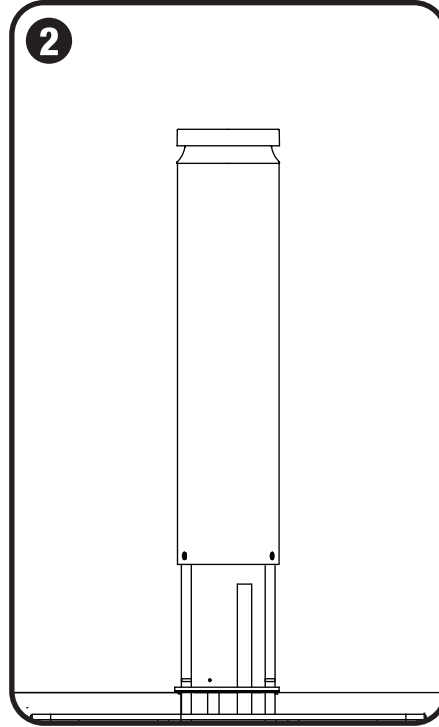
SECURITY BOLLARD WIRING & INSTALLATION INSTRUCTIONS

## STEP BY STEP INSTALLATION INSTRUCTIONS FOR ALL HELIO BOLLARDS WITH EMBEDDED SECURITY CORES



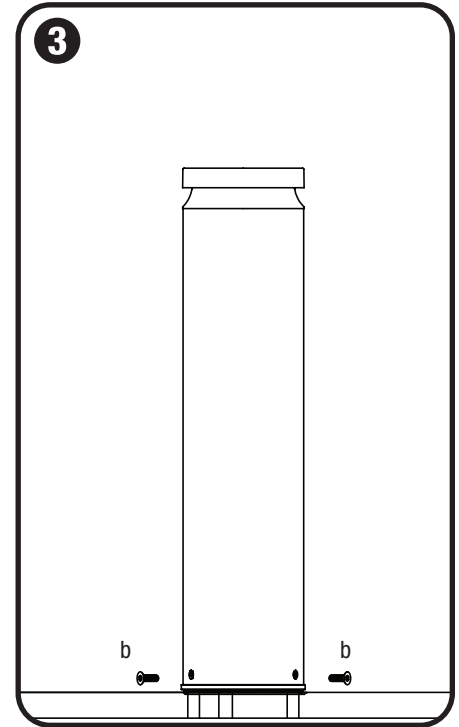
### Install trim ring

- Apply a thin bead of waterproof clear silicone to the top of the flange on the security core. Take care not to over apply.
- Slide trim ring (a) over security core and drop down to flange on security core. Press down on trim ring to ensure it is fully seated on the flange.



### Position bollard over security core

- Inspect security core for moisture. If moisture is present allow to dry before installing bollard. Do not install bollard unless security core is completely dry.
- Slide bollard over security core so that mounting holes in bollard body align with tapped holes in security core.

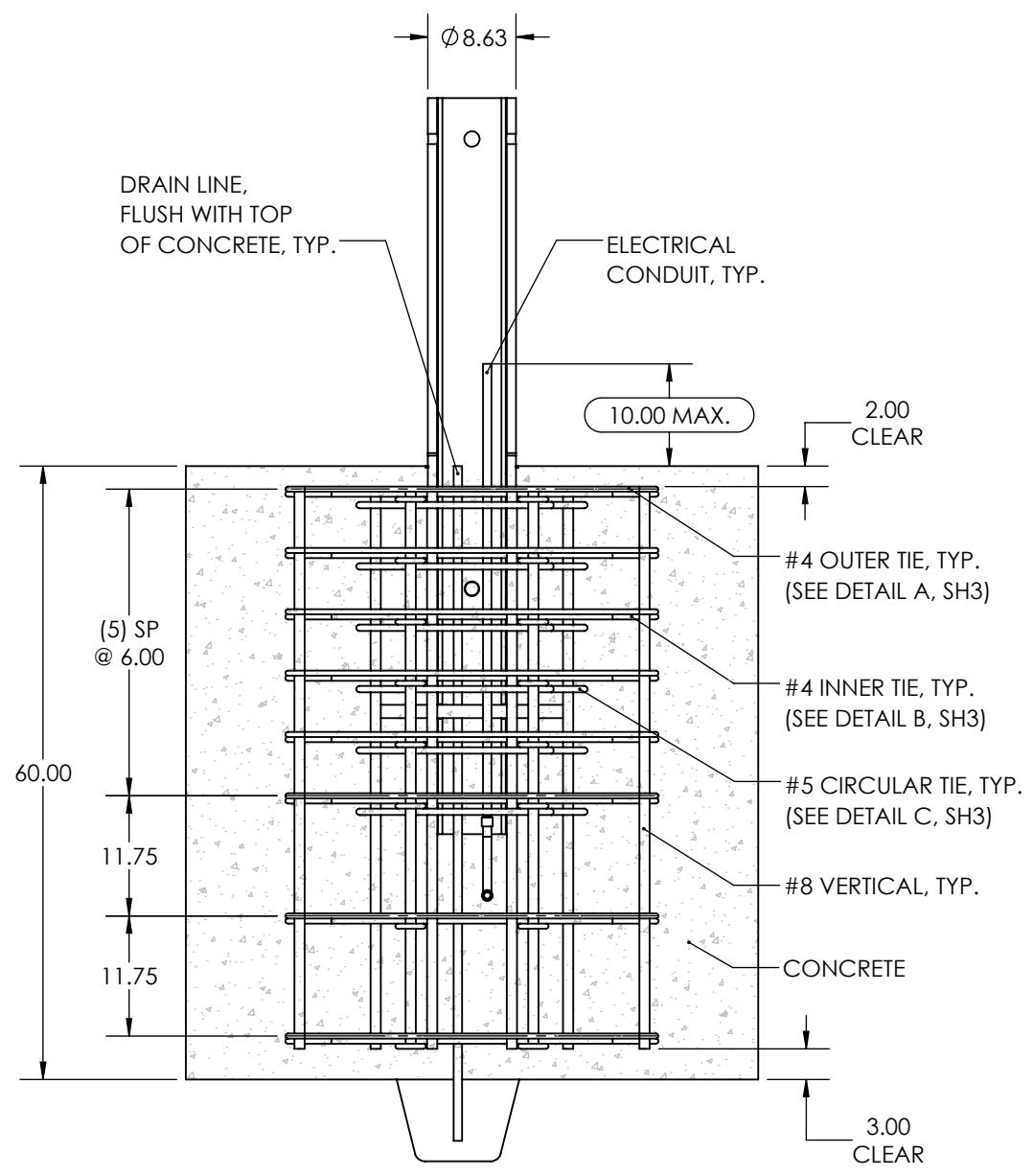


### Attach bollard to security core

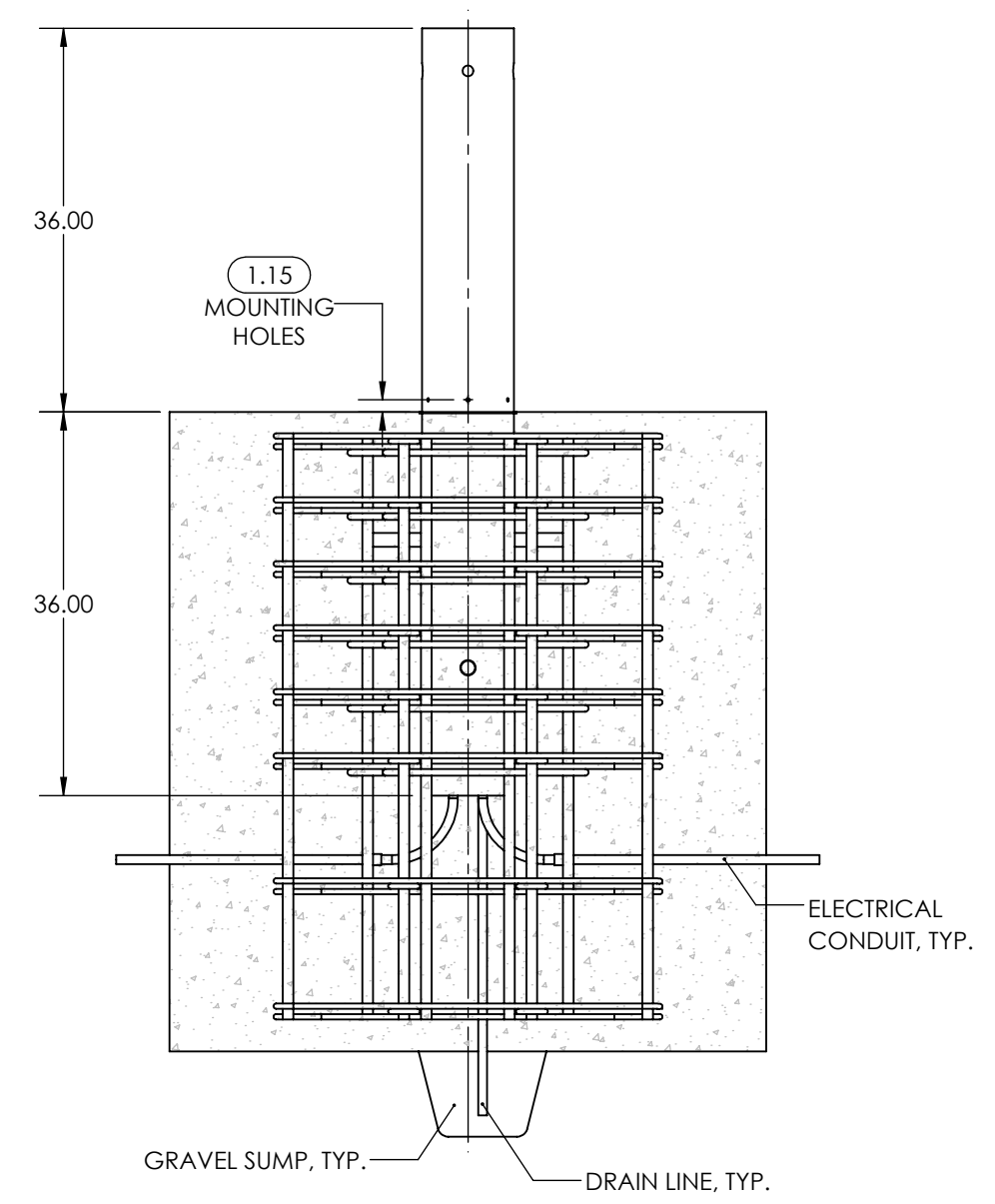
- Thread 5/16"-18x1" tamper-resistant flat head bolts (b) into each hole.
- Use provided T40 Torx bit for tamper-resistant bolts to tighten all bolts until snug.

8 7 6 5 4 3 2 1

D  
C  
B  
A



END VIEW (PARTIAL SECTION)



SIDE VIEW (PARTIAL SECTION)

0	INITIAL RELEASE	-----	-----
REV.	DESCRIPTION	REVISED BY	DATE

UNLESS OTHERWISE SPECIFIED:  
 1. PRIMARY DIM. ARE IN INCHES & SECONDARY [DIM] IN MM  
 2. TOLERANCES  
 FRACTIONAL: ±1/32; ANGULAR/BEND: ±1°  
 TWO PLACE DECIMAL ±.030  
 THREE PLACE DECIMAL ±.020  
 3. REMOVE ALL BURRS AND SHARP EDGES  
 THIRD ANGLE PROJECTION  
 MATERIAL: N/A  
 FINISH: N/A  
 WEIGHT: N/A  
 SCALE: NOT TO SCALE



30 Pine Street, Pittsburgh, PA 15223  
 Tel (412) 781-9003 Fax (412) 781-7840

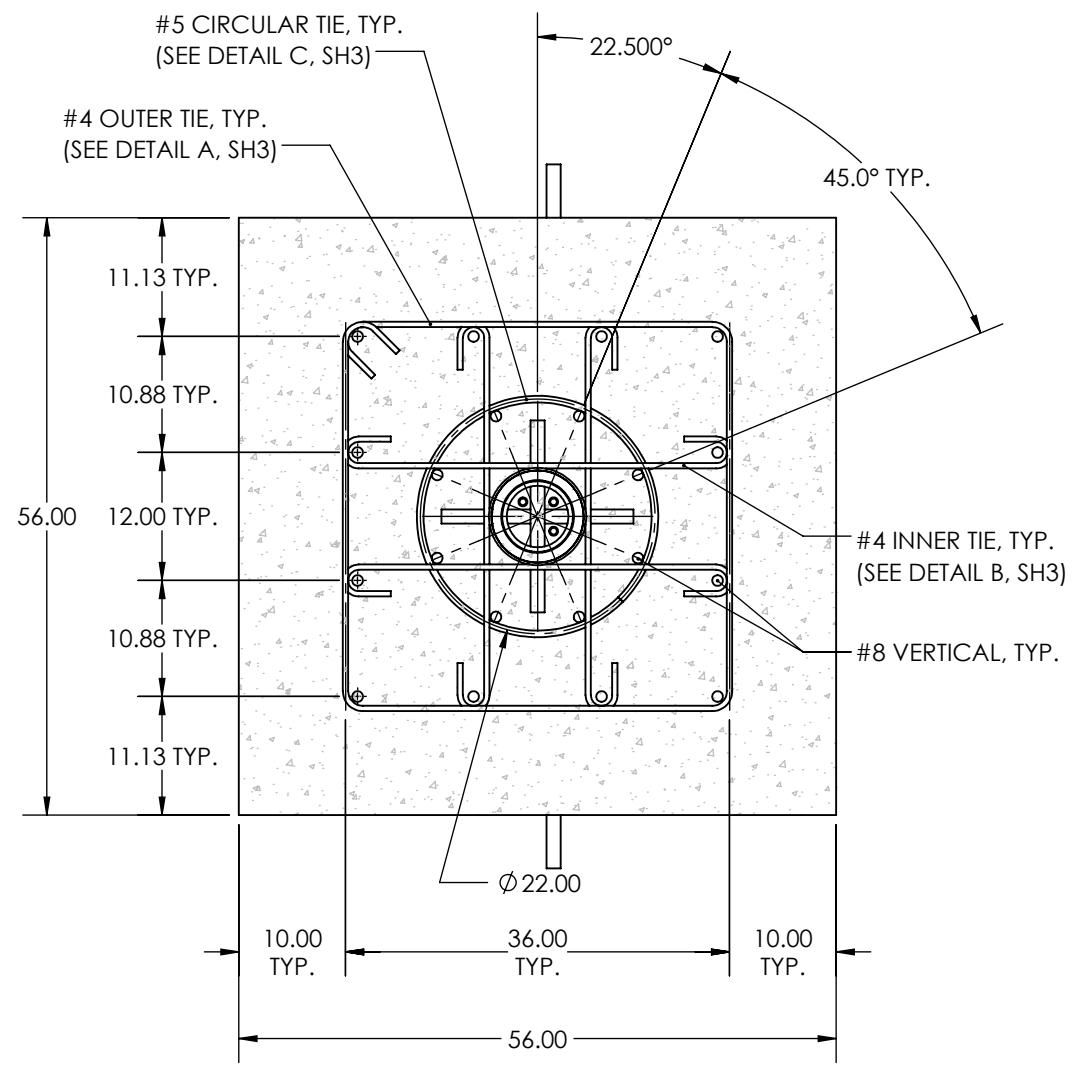
NAME	DATE
DWN	RTS 05/01/20
CHK	

DESCRIPTION:			
<b>FORMS+SURFACES</b>			
<b>M30-P1 DEEP SECURITY CORE</b>			
<b>INDIVIDUAL FOUNDATION, NO PAVER</b>			
SIZE	DWG. NO.	REV	SHEET
B	M30-DP-IND-NP-INSTALL	0	1 OF 3

8 7 6 5 4 3 2 1

8 7 6 5 4 3 2 1

D  
C  
B  
A



PLAN VIEW (PARTIAL SECTION)

**UNLESS OTHERWISE SPECIFIED:**  
 1. PRIMARY DIM. ARE IN INCHES & SECONDARY [DIM] IN MM  
 2. TOLERANCES  
 FRACTIONAL: ±1/32; ANGULAR/BEND: ±1°  
 TWO PLACE DECIMAL ±.030  
 THREE PLACE DECIMAL ±.020  
 3. REMOVE ALL BURRS AND SHARP EDGES

**FORMS+SURFACES** 30 Pine Street, Pittsburgh, PA 15223  
 Tel (412) 781-9003 Fax (412) 781-7840

NAME	DATE	DESCRIPTION:
DWN	RTS	05/01/20
CHK		

THIRD ANGLE PROJECTION

MATERIAL: N/A

FINISH: N/A

WEIGHT: N/A

SCALE: NOT TO SCALE

**PROPRIETARY AND CONFIDENTIAL**  
 THE INFORMATION CONTAINED IN THIS DRAWING IS THE SOLE PROPERTY OF FORMS + SURFACES. ANY REPRODUCTION IN PART OR AS A WHOLE WITHOUT WRITTEN PERMISSION IS PROHIBITED.

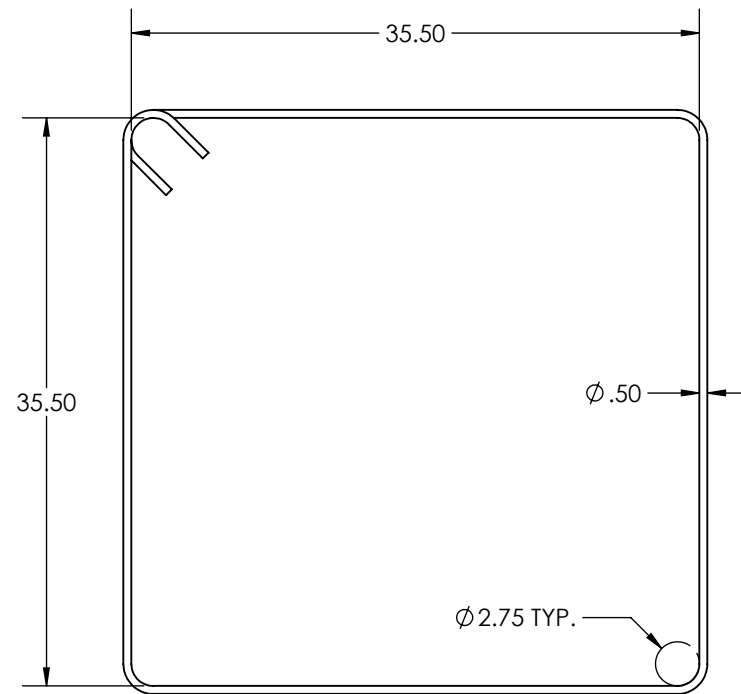
SIZE	DWG. NO.	REV	SHEET
B	M30-DP-IND-NP-INSTALL	0	2 OF 3

REV.	DESCRIPTION	REVISED BY	DATE
0	INITIAL RELEASE	-----	-----

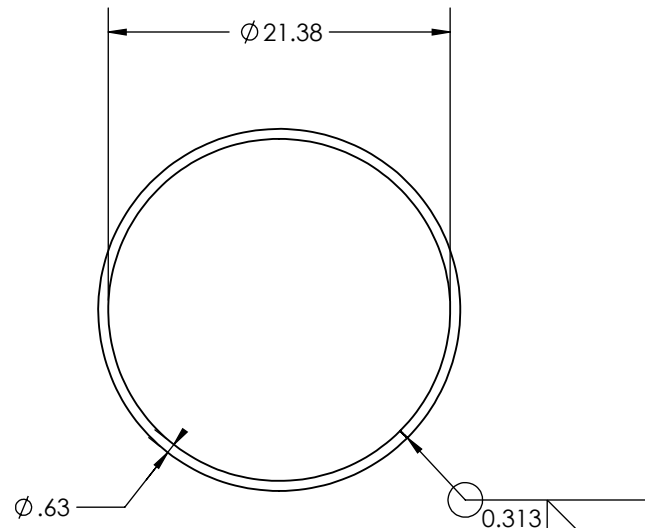
8 7 6 5 4 3 2 1

D  
C  
B  
A

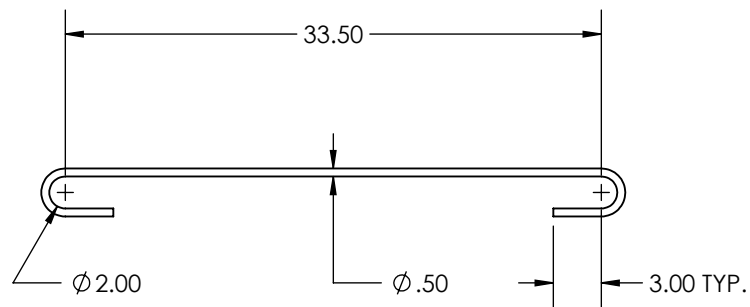
D  
C  
B  
A



**DETAIL A  
#4 OUTER TIE, TYP.**



**DETAIL C  
#5 CIRCULAR TIE, TYP.**



**DETAIL B  
#4 INNER TIE, TYP.**

REBAR CHART	
BAR SIZE	DIAMETER
#4	Ø 0.500
#5	Ø 0.625
#8	Ø 1.000

**NOTES:**

- FOOTINGS HAVE BEEN DESIGNED TO BEAR ON UNDISTURBED SOIL OR PROPERLY COMPACTED ENGINEERED FILL ASSUMING A NET BEARING CAPACITY OF 2000 PSF.
- REINFORCED CONCRETE WORK SHALL BE DONE IN ACCORDANCE WITH THE "BUILDING CODE REQUIREMENTS FOR REINFORCED CONCRETE" (ACI 318) AND THE SPECIFICATIONS FOR STRUCTURAL CONCRETE (ACI 301) OF THE AMERICAN CONCRETE INSTITUTE (EDITIONS AS REQUIRED BY GOVERNING CODE).
- CAST-IN-PLACE CONCRETE SHALL BE NORMAL WEIGHT CONCRETE WITH A MINIMUM 28-DAY COMPRESSIVE STRENGTH (F'C) OF 5000 PSI UNO.
- PROVIDE 6% (+/-1.5%) AIR ENTRAINMENT IN CONCRETE EXPOSED TO FREEZE/THAW.
- DEFORMED BAR REINFORCEMENT SHALL BE ASTM A615, GRADE 60; SEE CHART FOR SIZING.
- REINFORCEMENT SHALL BE SECURELY HELD IN PLACE WHILE PLACING CONCRETE. IF REQUIRED, ADDITIONAL BARS, STIRRUPS, OR CHAIRS SHALL BE PROVIDED TO FURNISH SUPPORT FOR SPECIFIED BARS.

**UNLESS OTHERWISE SPECIFIED:**  
 1. PRIMARY DIM. ARE IN INCHES & SECONDARY [DIM] IN MM  
 2. TOLERANCES  
 FRACTIONAL: ±1/32; ANGULAR/BEND: ±1°  
 TWO PLACE DECIMAL ±.030  
 THREE PLACE DECIMAL ±.020  
 3. REMOVE ALL BURRS AND SHARP EDGES  
 THIRD ANGLE PROJECTION  
 MATERIAL: N/A  
 FINISH: N/A  
 WEIGHT: N/A  
 SCALE: NOT TO SCALE

**FORMS+SURFACES** 30 Pine Street, Pittsburgh, PA 15223  
 Tel (412) 781-9003 Fax (412) 781-7840

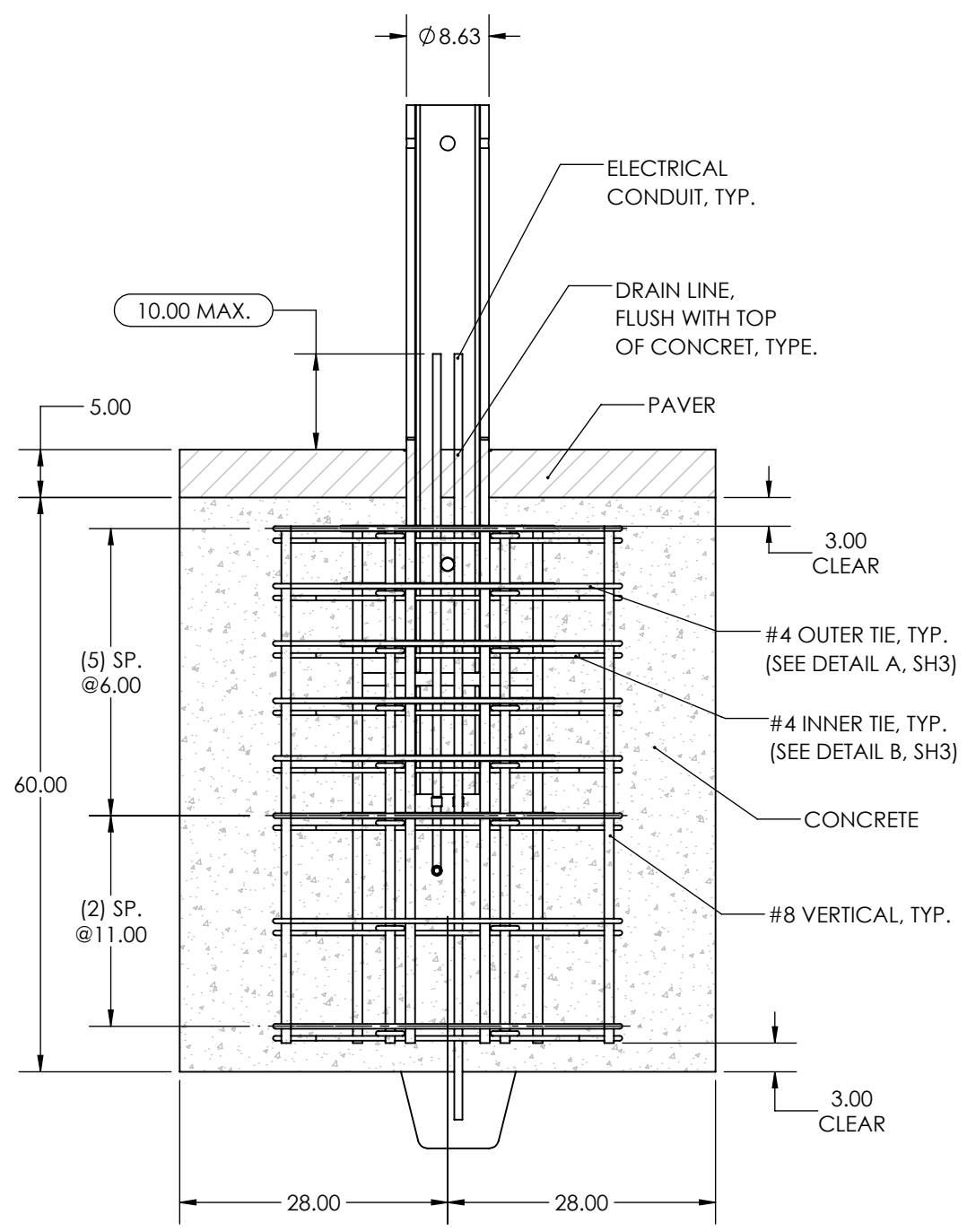
NAME	DATE
DWN	RTS
CHK	05/01/20

DESCRIPTION: <b>FORMS+SURFACES M30-P1 DEEP SECURITY CORE INDIVIDUAL FOUNDATION, NO PAVER</b>			
SIZE	DWG. NO.	REV	SHEET
B	M30-DP-IND-NP-INSTALL	0	3 OF 3

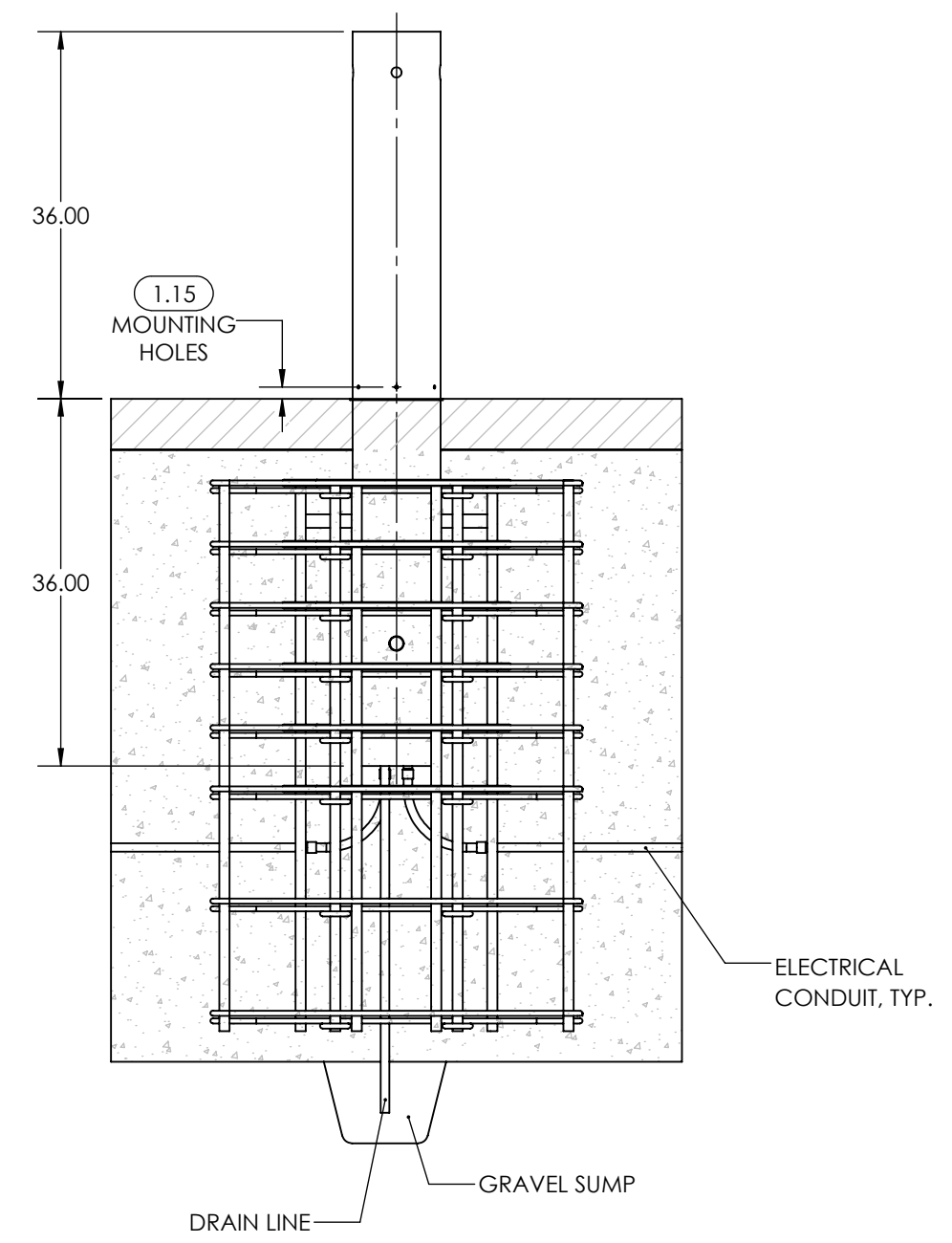
REV.	DESCRIPTION	REVISED BY	DATE
0	INITIAL RELEASE	-----	-----

8 7 6 5 4 3 2 1

D  
C  
B  
A



END VIEW (PARTIAL SECTION)



SIDE VIEW (PARTIAL SECTION)

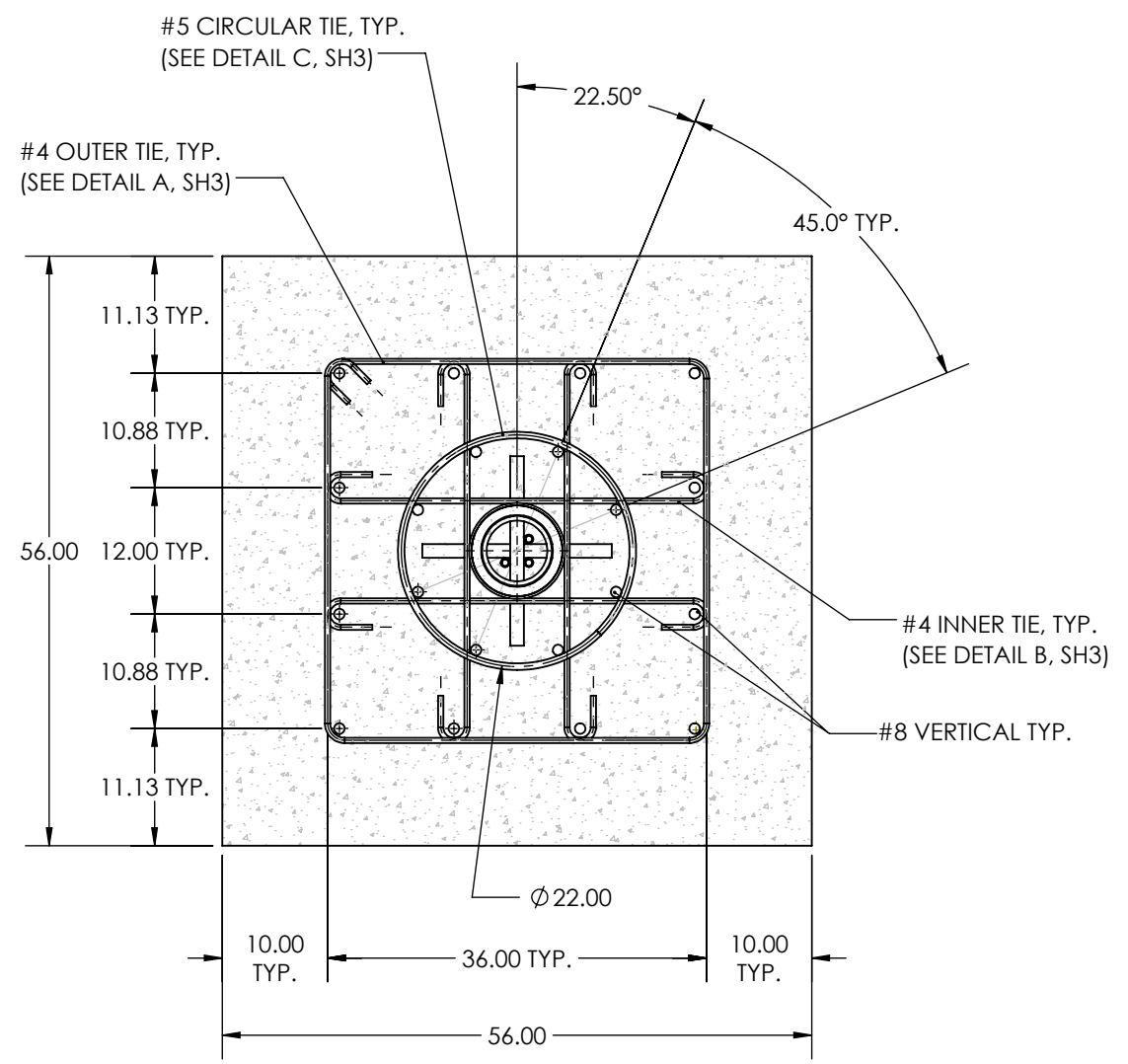
<p><b>UNLESS OTHERWISE SPECIFIED:</b>          1. PRIMARY DIM. ARE IN INCHES &amp; SECONDARY [DIM] IN MM          2. TOLERANCES          FRACTIONAL: ±1/32; ANGULAR/BEND: ±1°          TWO PLACE DECIMAL ±.030          THREE PLACE DECIMAL ±.020          3. REMOVE ALL BURRS AND SHARP EDGES</p>		<p><b>FORMS+SURFACES</b> 30 Pine Street, Pittsburgh, PA 15223          Tel (412) 781-9003 Fax (412) 385-4715</p>	
<p>THIRD ANGLE PROJECTION</p>		<p>NAME: DWN          DATE: 06/29/2023</p>	<p>DESCRIPTION:  <b>FORMS+SURFACES</b>  <b>M30-P1 DEEP SECURITY CORE</b>  <b>INDIVIDUAL FOUNDATION, WITH PAVER</b></p>
<p>MATERIAL: N/A</p>		<p>CHK: _____</p>	<p>SIZE: B          DWG. NO.: M30-DP-IND-PV-INSTALL          REV: 0          SHEET: 1 OF 3</p>
<p>FINISH: N/A</p>		<p>DO NOT SCALE DRAWING</p>	
<p>WEIGHT: N/A</p>		<p>PROPRIETARY AND CONFIDENTIAL          THE INFORMATION CONTAINED IN THIS DRAWING IS THE SOLE PROPERTY OF FORMS + SURFACES. ANY REPRODUCTION IN PART OR AS A WHOLE WITHOUT WRITTEN PERMISSION IS PROHIBITED.</p>	
<p>SCALE: NOT TO SCALE</p>			

REV.	DESCRIPTION	REVISED BY	DATE
0	INITIAL RELEASE	-----	-----

8 7 6 5 4 3 2 1

8 7 6 5 4 3 2 1

D  
C  
B  
A



PLAN VIEW (PARTIAL SECTION)

**UNLESS OTHERWISE SPECIFIED:**  
 1. PRIMARY DIM. ARE IN INCHES & SECONDARY [DIM] IN MM  
 2. TOLERANCES  
 FRACTIONAL: ±1/32; ANGULAR/BEND: ±1°  
 TWO PLACE DECIMAL ±.030  
 THREE PLACE DECIMAL ±.020  
 3. REMOVE ALL BURRS AND SHARP EDGES

THIRD ANGLE PROJECTION

MATERIAL: N/A

FINISH: N/A

WEIGHT: N/A

SCALE: NOT TO SCALE

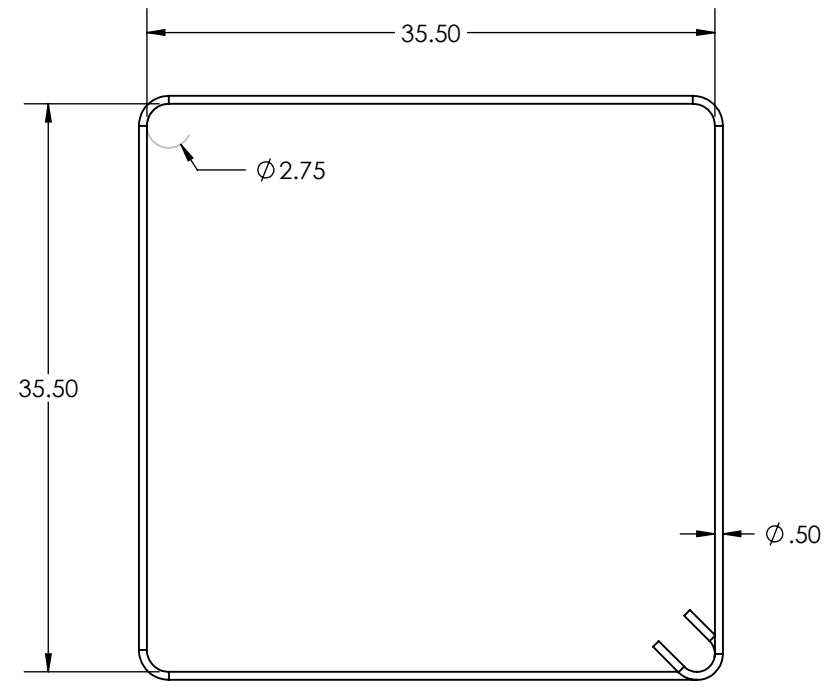
**FORMS+SURFACES** 30 Pine Street, Pittsburgh, PA 15223  
 Tel (412) 781-9003 Fax (412) 385-4715

NAME	DATE	DESCRIPTION:
DWN	YAF 06/29/2023	<b>FORMS+SURFACES</b> <b>M30-P1 DEEP SECURITY CORE</b> <b>INDIVIDUAL FOUNDATION, WITH PAVER</b>
CHK		
DO NOT SCALE DRAWING		SIZE DWG. NO. REV SHEET
		B M30-DP-IND-PV-INSTALL 0 2 OF 3

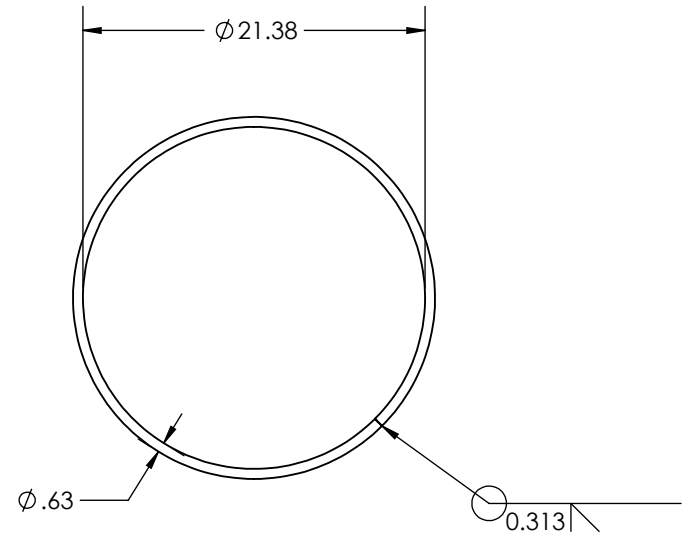
PROPRIETARY AND CONFIDENTIAL  
 THE INFORMATION CONTAINED IN THIS DRAWING IS THE SOLE PROPERTY OF FORMS + SURFACES. ANY REPRODUCTION IN PART OR AS A WHOLE WITHOUT WRITTEN PERMISSION IS PROHIBITED.

REV.	DESCRIPTION	REVISED BY	DATE
0	INITIAL RELEASE	-----	-----

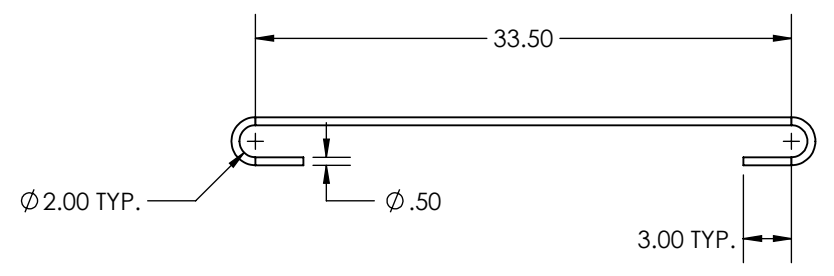
8 7 6 5 4 3 2 1



**DETAIL A  
#4 OUTER TIE, TYP.**



**DETAIL C  
#5 INNER TIE, TYP.**



**DETAIL B  
#4 INNER TIE, TYP.**

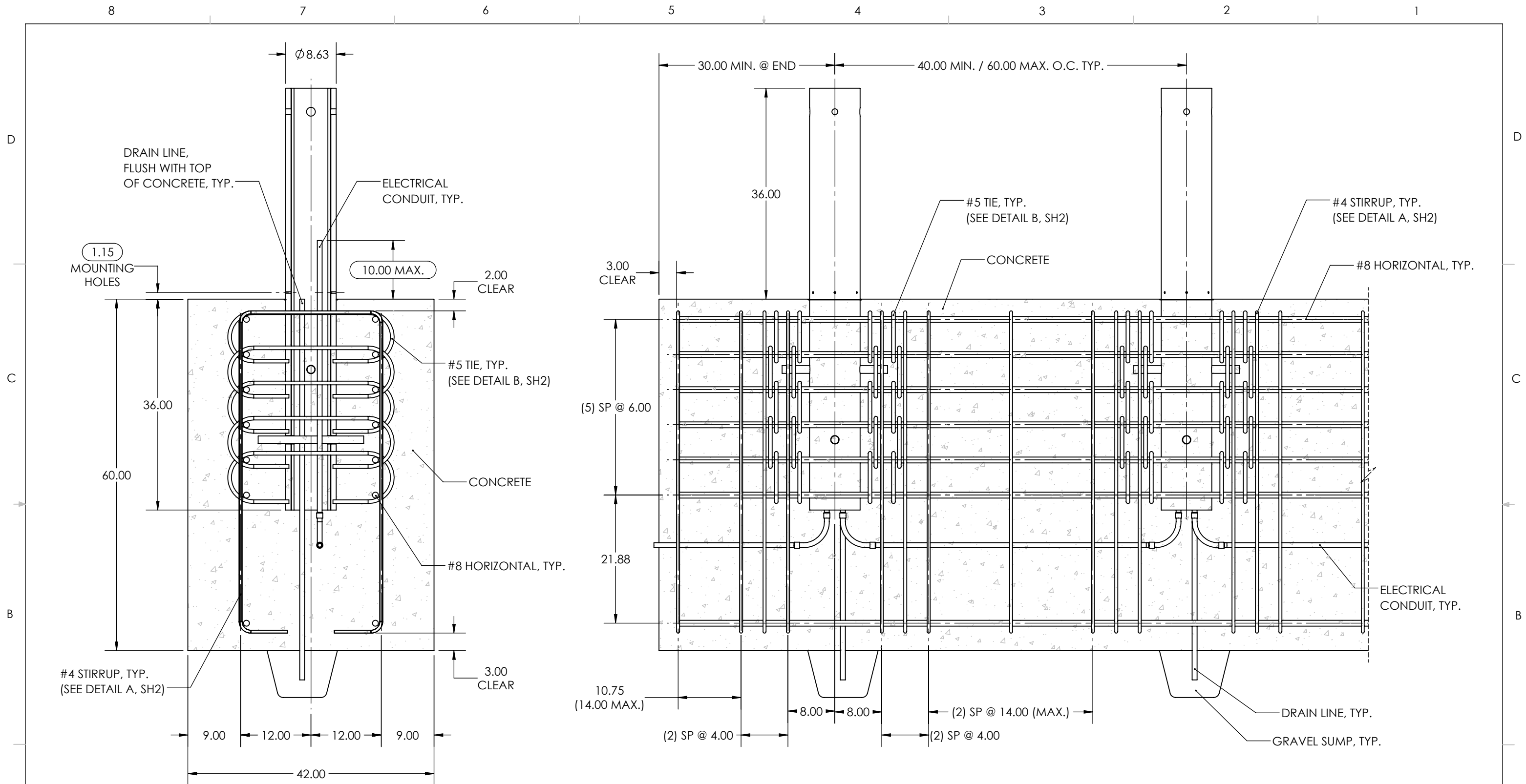
REBAR CHART	
BAR SIZE	DIAMETER
#4	$\phi 0.500$
#5	$\phi 0.625$
#8	$\phi 1.000$

**NOTES:**

1. FOOTINGS HAVE BEEN DESIGNED TO BEAR ON UNDISTURBED SOIL OR PROPERLY COMPACTED ENGINEERED FILL ASSUMING A NET BEARING CAPACITY OF 2000 PSF.
2. REINFORCED CONCRETE WORK SHALL BE DONE IN ACCORDANCE WITH THE "BUILDING CODE REQUIREMENTS FOR REINFORCED CONCRETE" (ACI 318) AND THE SPECIFICATIONS FOR STRUCTURAL CONCRETE (ACI 301) OF THE AMERICAN CONCRETE INSTITUTE (EDITIONS AS REQUIRED BY GOVERNING CODE).
3. CAST-IN-PLACE CONCRETE SHALL BE NORMAL WEIGHT CONCRETE WITH A MINIMUM 28-DAY COMPRESSIVE STRENGTH (F'C) OF 5000 PSI UNO.
4. PROVIDE 6% (+/-1.5%) AIR ENTRAINMENT IN CONCRETE EXPOSED TO FREEZE/THAW.
5. DEFORMED BAR REINFORCEMENT SHALL BE ASTM A615, GRADE 60; SEE CHART FOR SIZING.
6. REINFORCEMENT SHALL BE SECURELY HELD IN PLACE WHILE PLACING CONCRETE. IF REQUIRED, ADDITIONAL BARS, STIRRUPS, OR CHAIRS SHALL BE PROVIDED TO FURNISH SUPPORT FOR SPECIFIED BARS.

<b>UNLESS OTHERWISE SPECIFIED:</b> 1. PRIMARY DIM. ARE IN INCHES & SECONDARY [DIM] IN MM 2. TOLERANCES FRACTIONAL: $\pm 1/32$ ; ANGULAR/BEND: $\pm 1^\circ$ TWO PLACE DECIMAL $\pm .030$ THREE PLACE DECIMAL $\pm .020$ 3. REMOVE ALL BURRS AND SHARP EDGES 		30 Pine Street, Pittsburgh, PA 15223 Tel (412) 781-9003 Fax (412) 781-7840	
MATERIAL: N/A FINISH: N/A WEIGHT: N/A SCALE: NOT TO SCALE		NAME: DWN DATE: 06/29/2023 CHECKED: CHK	DESCRIPTION: <b>FORMS+SURFACES M30-P1 DEEP SECURITY CORE INDIVIDUAL FOUNDATION, WITH PAVER</b>
PROPRIETARY AND CONFIDENTIAL THE INFORMATION CONTAINED IN THIS DRAWING IS THE SOLE PROPERTY OF FORMS + SURFACES. ANY REPRODUCTION IN PART OR AS A WHOLE WITHOUT WRITTEN PERMISSION IS PROHIBITED.		SIZE: B DWG. NO.: M30-DP-IND-PV-INSTALL	REV: 0 SHEET: 3 OF 3





END VIEW (PARTIAL SECTION)

SIDE VIEW (PARTIAL SECTION)

UNLESS OTHERWISE SPECIFIED:  
 1. PRIMARY DIM. ARE IN INCHES & SECONDARY [DIM] IN MM  
 2. TOLERANCES  
 FRACTIONAL: ±1/32; ANGULAR/BEND: ±1°  
 TWO PLACE DECIMAL ±.030  
 THREE PLACE DECIMAL ±.020  
 3. REMOVE ALL BURRS AND SHARP EDGES  
 THIRD ANGLE PROJECTION  
 MATERIAL: N/A  
 FINISH: N/A  
 WEIGHT: N/A  
 SCALE: NOT TO SCALE

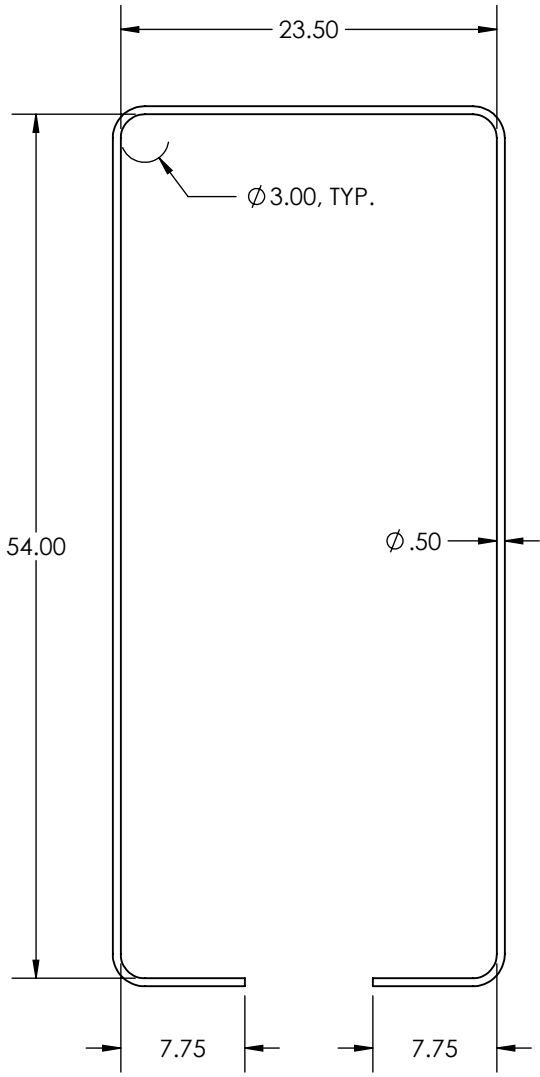
**FORMS+SURFACES** 30 Pine Street, Pittsburgh, PA 15223  
 Tel (412) 781-9003 Fax (412) 781-7840

NAME	DATE
DWN	RTS
CHK	05/01/20

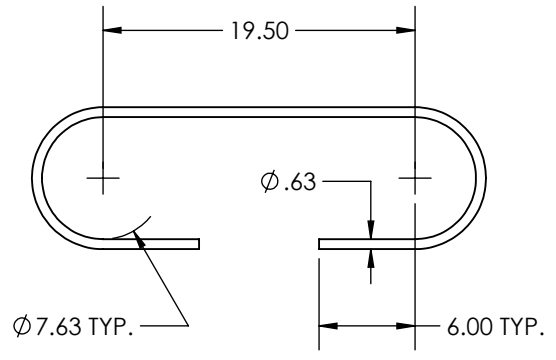
DESCRIPTION:			
<b>FORMS+SURFACES</b>			
<b>M30-P1 DEEP SECURITY CORE</b>			
<b>STRIP FOUNDATION, NO PAVER</b>			
SIZE	DWG. NO.	REV	SHEET
B	M30-DP-STR-NP-INSTALL	0	1 OF 2

REV.	DESCRIPTION	REVISED BY	DATE
0	INITIAL RELEASE	-----	-----

D  
C  
B  
A



**DETAIL A  
#4 STIRRUP, TYP.**


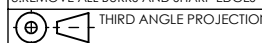


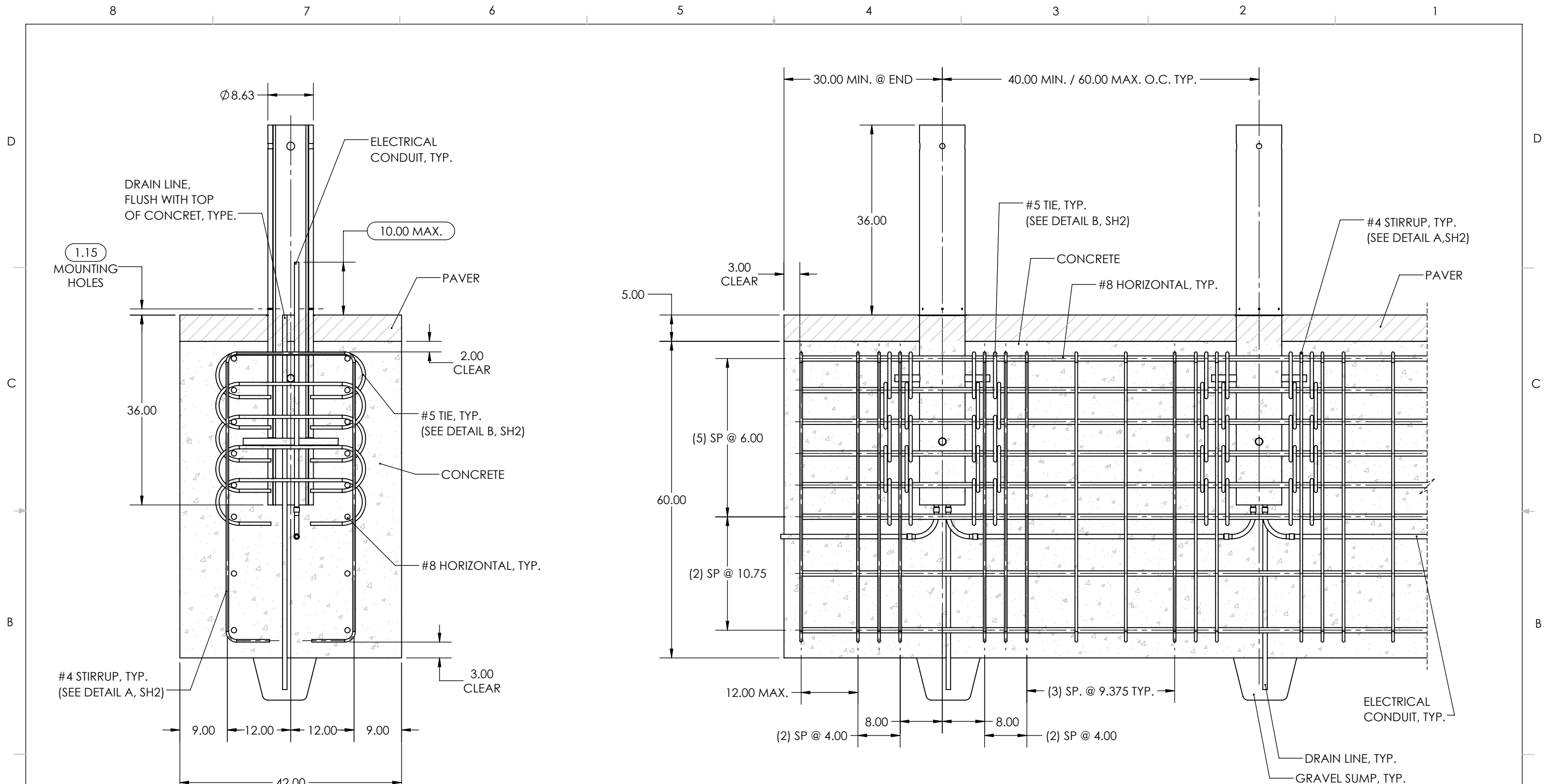
**DETAIL B  
#5 TIE, TYP.**

REBAR CHART	
BAR SIZE	DIAMETER
#4	Ø 0.500
#5	Ø 0.625
#8	Ø 1.000

**NOTES:**

- FOOTINGS HAVE BEEN DESIGNED TO BEAR ON UNDISTURBED SOIL OR PROPERLY COMPACTED ENGINEERED FILL ASSUMING A NET BEARING CAPACITY OF 2000 PSF.
- REINFORCED CONCRETE WORK SHALL BE DONE IN ACCORDANCE WITH THE "BUILDING CODE REQUIREMENTS FOR REINFORCED CONCRETE" (ACI 318) AND THE SPECIFICATIONS FOR STRUCTURAL CONCRETE (ACI 301) OF THE AMERICAN CONCRETE INSTITUTE (EDITIONS AS REQUIRED BY GOVERNING CODE).
- CAST-IN-PLACE CONCRETE SHALL BE NORMAL WEIGHT CONCRETE WITH A MINIMUM 28-DAY COMPRESSIVE STRENGTH (F'C) OF 5000 PSI UNO.
- PROVIDE 6% (+/-1.5%) AIR ENTRAINMENT IN CONCRETE EXPOSED TO FREEZE/THAW.
- DEFORMED BAR REINFORCEMENT SHALL BE ASTM A615, GRADE 60; SEE CHART FOR SIZING.
- REINFORCEMENT SHALL BE SECURELY HELD IN PLACE WHILE PLACING CONCRETE. IF REQUIRED, ADDITIONAL BARS, STIRRUPS, OR CHAIRS SHALL BE PROVIDED TO FURNISH SUPPORT FOR SPECIFIED BARS.

<b>UNLESS OTHERWISE SPECIFIED:</b> 1. PRIMARY DIM. ARE IN INCHES & SECONDARY [DIM] IN MM 2. TOLERANCES FRACTIONAL: ±1/32; ANGULAR/BEND: ±1° TWO PLACE DECIMAL ±.030 THREE PLACE DECIMAL ±.020 3. REMOVE ALL BURRS AND SHARP EDGES		 30 Pine Street, Pittsburgh, PA 15223 Tel (412) 781-9003 Fax (412) 781-7840			
 THIRD ANGLE PROJECTION					
MATERIAL: N/A	FINISH: N/A	NAME: DWN	DATE: 05/01/20	DESCRIPTION: <b>FORMS+SURFACES</b> <b>M30-P1 DEEP SECURITY CORE</b> <b>STRIP FOUNDATION, NO PAVER</b>	
WEIGHT: N/A	SCALE: NOT TO SCALE	CHK: CHK	DO NOT SCALE DRAWING		
PROPRIETARY AND CONFIDENTIAL THE INFORMATION CONTAINED IN THIS DRAWING IS THE SOLE PROPERTY OF FORMS + SURFACES. ANY REPRODUCTION IN PART OR AS A WHOLE WITHOUT WRITTEN PERMISSION IS PROHIBITED.		SIZE: B	DWG. NO.: M30-DP-STR-NP-INSTALL		REV: 0



**SIDE VIEW (PARTIAL SECTION)**

**END VIEW (PARTIAL SECTION)**

**UNLESS OTHERWISE SPECIFIED:**  
 1. PRIMARY DIM. ARE IN INCHES & SECONDARY [DIM] IN MM  
 2. TOLERANCES  
 FRACTIONAL: ±1/32; ANGULAR/BEND: ±1°  
 TWO PLACE DECIMAL ±.030  
 THREE PLACE DECIMAL ±.020  
 3. REMOVE ALL BURRS AND SHARP EDGES

**THIRD ANGLE PROJECTION**

MATERIAL: N/A  
 FINISH: N/A  
 WEIGHT: N/A  
 SCALE: NOT TO SCALE

**FORMS+SURFACES** 30 Pine Street, Pittsburgh, PA 15223  
 Tel (412) 781-9003 Fax (412) 385-4715

NAME	DATE	DESCRIPTION:
DWN	YAF	06/29/2023
CHK		

DO NOT SCALE DRAWING

**PROPRIETARY AND CONFIDENTIAL**  
 THE INFORMATION CONTAINED IN THIS DRAWING IS THE SOLE PROPERTY OF FORMS + SURFACES. ANY REPRODUCTION IN PART OR AS A WHOLE WITHOUT WRITTEN PERMISSION IS PROHIBITED.

SIZE	DWG. NO.	REV	SHEET
B	M30-DP-STR-PV-INSTALL	0	1 OF 2

**FORMS+SURFACES**  
**M30-P1 DEEP SECURITY CORE**  
**STRIP FOUNDATION, WITH PAVER**

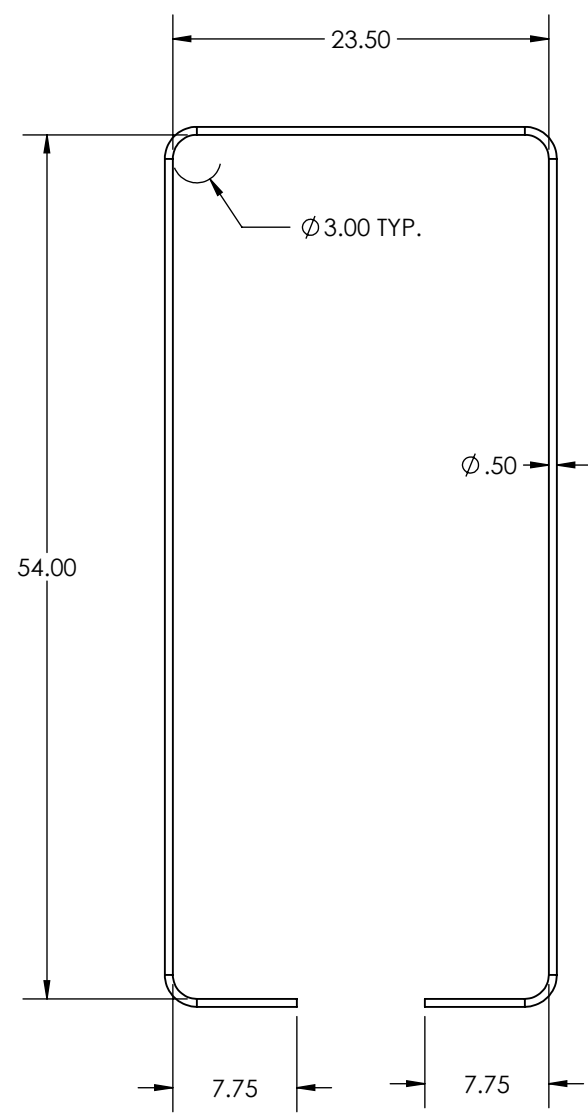
REV.	DESCRIPTION	REVISED BY	DATE
0	INITIAL RELEASE	-----	-----

A

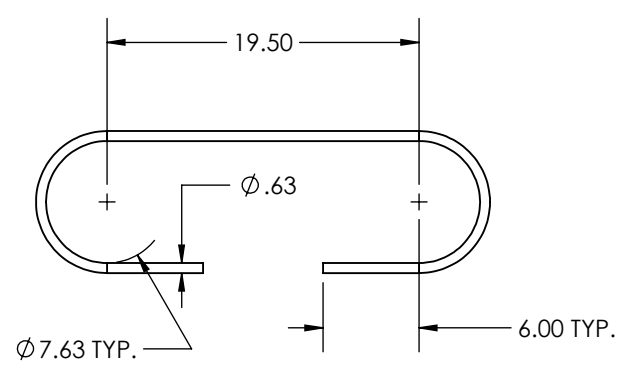
A

8 7 6 5 4 3 2 1

D  
C  
B  
A



**DETAIL A  
#4 STIRRUP, TYP.**


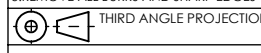


**DETAIL B  
#5 TIE, TYP.**

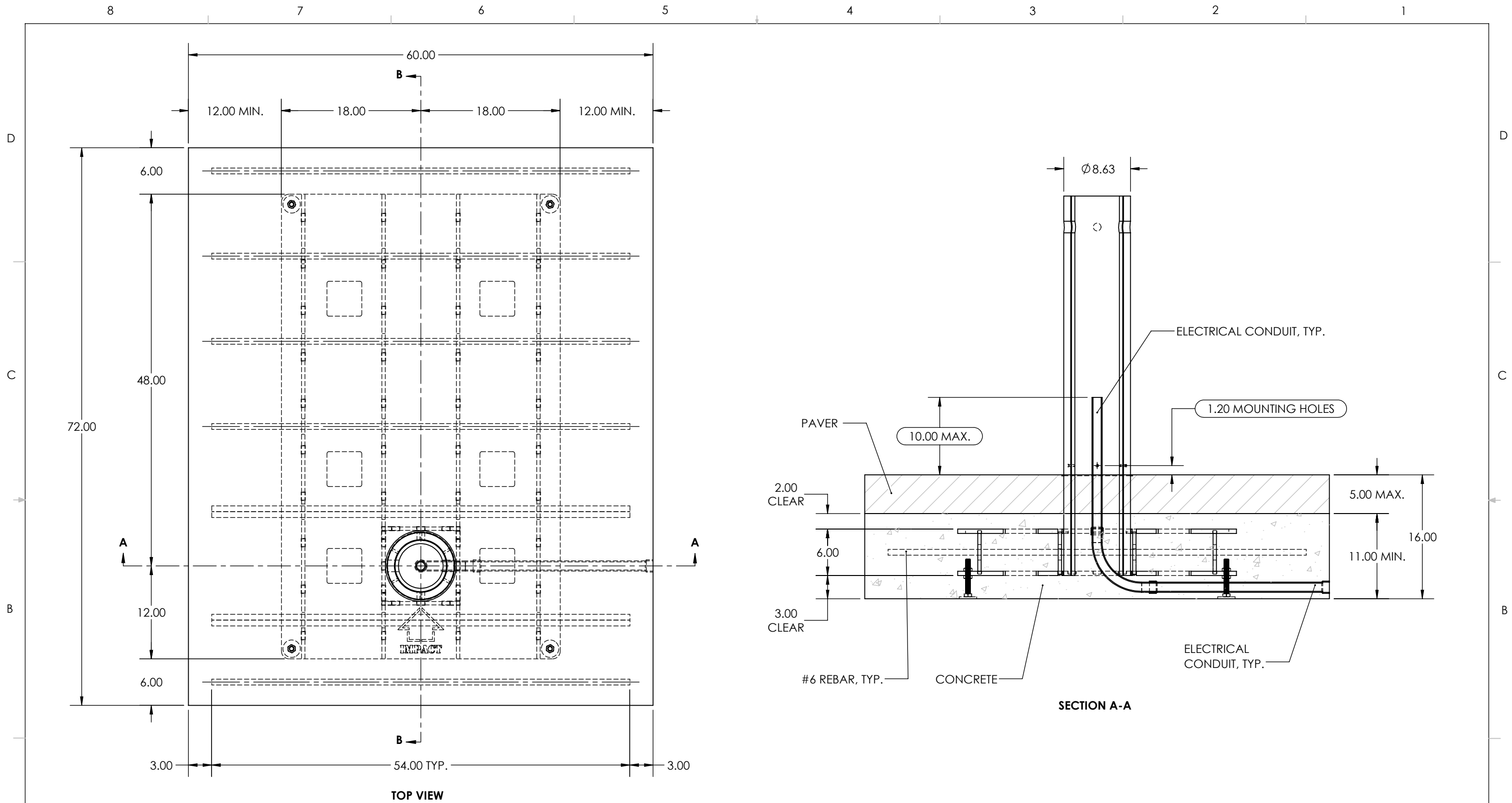
REBAR CHART	
BAR SIZE	DIAMETER
#4	Ø 0.500
#5	Ø 0.625
#8	Ø 1.000

**NOTES:**

1. FOOTINGS HAVE BEEN DESIGNED TO BEAR ON UNDISTURBED SOIL OR PROPERLY COMPACTED ENGINEERED FILL ASSUMING A NET BEARING CAPACITY OF 2000 PSF.
2. REINFORCED CONCRETE WORK SHALL BE DONE IN ACCORDANCE WITH THE "BUILDING CODE REQUIREMENTS FOR REINFORCED CONCRETE" (ACI 318) AND THE SPECIFICATIONS FOR STRUCTURAL CONCRETE (ACI 301) OF THE AMERICAN CONCRETE INSTITUTE (EDITIONS AS REQUIRED BY GOVERNING CODE).
3. CAST-IN-PLACE CONCRETE SHALL BE NORMAL WEIGHT CONCRETE WITH A MINIMUM 28-DAY COMPRESSIVE STRENGTH (FC) OF 5000 PSI UNO.
4. PROVIDE 6% (+/-1.5%) AIR ENTRAINMENT IN CONCRETE EXPOSED TO FREEZE/THAW.
5. DEFORMED BAR REINFORCEMENT SHALL BE ASTM A615, GRADE 60; SEE CHART FOR SIZING.
6. REINFORCEMENT SHALL BE SECURELY HELD IN PLACE WHILE PLACING CONCRETE. IF REQUIRED, ADDITIONAL BARS, STIRRUPS, OR CHAIRS SHALL BE PROVIDED TO FURNISH SUPPORT FOR SPECIFIED BARS.

<b>UNLESS OTHERWISE SPECIFIED:</b> 1. PRIMARY DIM. ARE IN INCHES & SECONDARY [DIM] IN MM 2. TOLERANCES FRACTIONAL: ±1/32; ANGULAR/BEND: ±1° TWO PLACE DECIMAL ±.030 THREE PLACE DECIMAL ±.020 3. REMOVE ALL BURRS AND SHARP EDGES		 30 Pine Street, Pittsburgh, PA 15223 Tel (412) 781-9003 Fax (412) 781-7840		
 THIRD ANGLE PROJECTION				
MATERIAL: N/A	FINISH: N/A	NAME	DATE	DESCRIPTION: <b>FORMS+SURFACES</b> <b>M30-P1 DEEP SECURITY CORE</b> <b>STRIP FOUNDATION, WITH PAVER</b>
WEIGHT: N/A	SCALE: NOT TO SCALE	DWN	YAF	
PROPRIETARY AND CONFIDENTIAL <small>THE INFORMATION CONTAINED IN THIS DRAWING IS THE SOLE PROPERTY OF FORMS + SURFACES. ANY REPRODUCTION IN PART OR AS A WHOLE WITHOUT WRITTEN PERMISSION IS PROHIBITED.</small>		06/29/2023	CHK	
		DO NOT SCALE DRAWING		SIZE B    DWG. NO. M30-DP-STR-PV-INSTALL    REV 0    SHEET 2 OF 2

8 7 6 5 4 3 2 1



**UNLESS OTHERWISE SPECIFIED:**

- 1. PRIMARY DIM. ARE IN INCHES & SECONDARY [DIM] IN MM
- 2. TOLERANCES  
 FRACTIONAL: ±1/32; ANGULAR/BEND: ±1°  
 TWO PLACE DECIMAL ±.030  
 THREE PLACE DECIMAL ±.020
- 3. REMOVE ALL BURRS AND SHARP EDGES

THIRD ANGLE PROJECTION

MATERIAL: N/A

FINISH: N/A

WEIGHT: N/A

SCALE: NOT TO SCALE



30 Pine Street, Pittsburgh, PA 15223  
Tel (412) 781-9003 Fax (412) 781-7840

NAME	DATE
DWN YAF	06/23/2023
CHK	

DO NOT SCALE DRAWING

**PROPRIETARY AND CONFIDENTIAL**  
 THE INFORMATION CONTAINED IN THIS DRAWING IS THE SOLE PROPERTY OF FORMS + SURFACES. ANY REPRODUCTION IN PART OR AS A WHOLE WITHOUT WRITTEN PERMISSION IS PROHIBITED.

DESCRIPTION:			
<b>FORMS+SURFACES</b>			
<b>M30-P1 SHALLOW SECURITY CORE</b>			
<b>INDIVIDUAL FOUNDATION, WITH PAVER</b>			
SIZE	DWG. NO.	REV	SHEET
B	M30-SH-IND-PV-INSTALL	0	1 OF 3

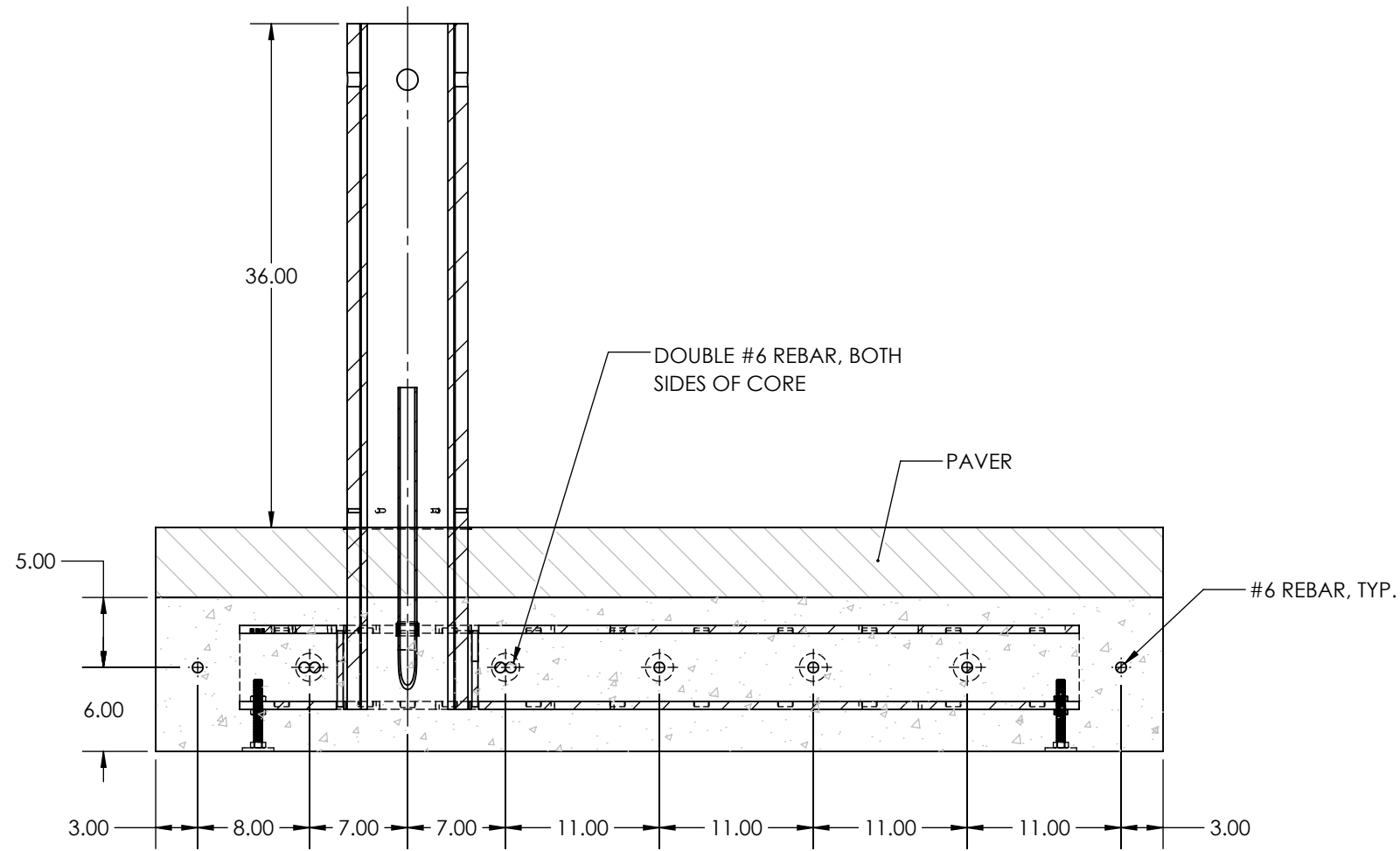
REV.	DESCRIPTION	REVISED BY	DATE
0	INITIAL RELEASE	-----	-----

D  
C  
B  
A

D  
C  
B  
A

**NOTES:**

1. FOOTINGS HAVE BEEN DESIGNED TO BEAR ON UNDISTURBED SOIL OR PROPERLY COMPACTED ENGINEERED FILL ASSUMING A NET BEARING CAPACITY OF 2000 PSF.
2. REINFORCED CONCRETE WORK SHALL BE DONE IN ACCORDANCE WITH THE "BUILDING CODE REQUIREMENTS FOR REINFORCED CONCRETE" (ACI 318) AND THE SPECIFICATIONS FOR STRUCTURAL CONCRETE (ACI 301) OF THE AMERICAN CONCRETE INSTITUTE (EDITIONS AS REQUIRED BY GOVERNING CODE).
3. CAST-IN-PLACE CONCRETE SHALL BE NORMAL WEIGHT CONCRETE WITH A MINIMUM 28-DAY COMPRESSIVE STRENGTH (F'c) OF 5000 PSI UNO.
4. PROVIDE 6% (+/-1.5%) AIR ENTRAINMENT IN CONCRETE EXPOSED TO FREEZE/THAW.
5. DEFORMED BAR REINFORCEMENT SHALL BE ASTM A615, GRADE 60; SEE CHART FOR SIZING.
6. REINFORCEMENT SHALL BE SECURELY HELD IN PLACE WHILE PLACING CONCRETE. IF REQUIRED, ADDITIONAL BARS, STIRRUPS, OR CHAIRS SHALL BE PROVIDED TO FURNISH SUPPORT FOR SPECIFIED BARS.



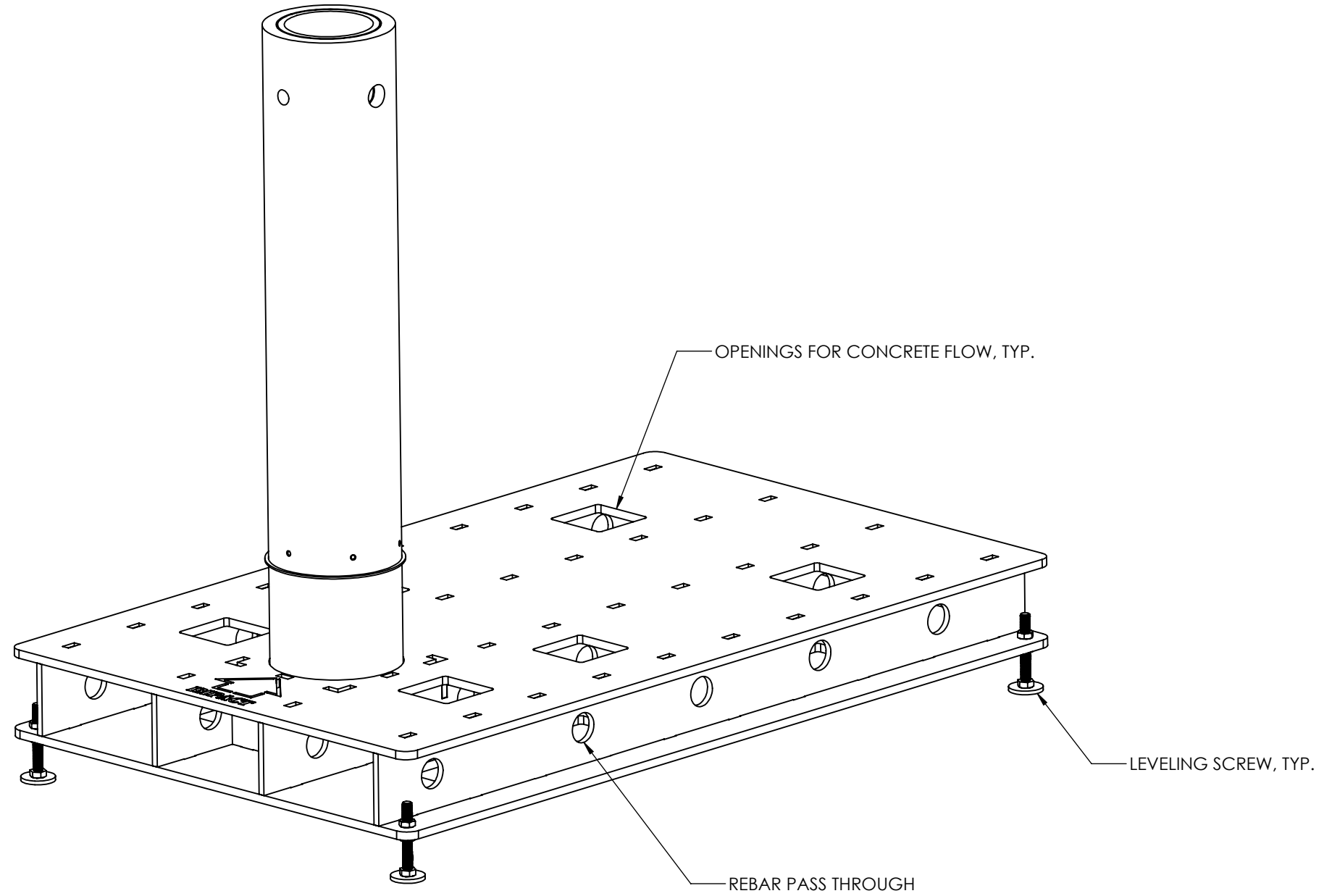
REBAR CHART	
BAR SIZE	DIAMETER
#6	Ø 0.750

<p><b>UNLESS OTHERWISE SPECIFIED:</b>                  1. PRIMARY DIM. ARE IN INCHES &amp; SECONDARY [DIM] IN MM                  2. TOLERANCES                  FRACTIONAL: ±1/32; ANGULAR/BEND: ±1°                  TWO PLACE DECIMAL ±.030                  THREE PLACE DECIMAL ±.020                  3. REMOVE ALL BURRS AND SHARP EDGES</p>		<p><b>FORMS+SURFACES</b> 30 Pine Street, Pittsburgh, PA 15223                  Tel (412) 781-9003 Fax (412) 781-7840</p>	
<p>THIRD ANGLE PROJECTION</p>	<p>NAME: DWN                  DATE: 06/23/2023</p>	<p>DESCRIPTION:  <b>FORMS+SURFACES</b>  <b>M30-P1 SHALLOW SECURITY CORE</b>  <b>INDIVIDUAL FOUNDATION, WITH PAVER</b></p>	
<p>MATERIAL: N/A</p>	<p>CHK: [ ]</p>	<p>DO NOT SCALE DRAWING</p>	
<p>FINISH: N/A</p>	<p><b>PROPRIETARY AND CONFIDENTIAL</b>                  THE INFORMATION CONTAINED IN THIS DRAWING IS THE SOLE PROPERTY OF FORMS + SURFACES. ANY REPRODUCTION IN PART OR AS A WHOLE WITHOUT WRITTEN PERMISSION IS PROHIBITED.</p>		
<p>WEIGHT: N/A</p>	<p>SIZE: B</p>	<p>DWG. NO.: M30-SH-IND-PV-INSTALL</p>	<p>REV: 0</p>
<p>SCALE: NOT TO SCALE</p>	<p>SHEET: 2 OF 3</p>		

8 7 6 5 4 3 2 1

D  
C  
B  
A

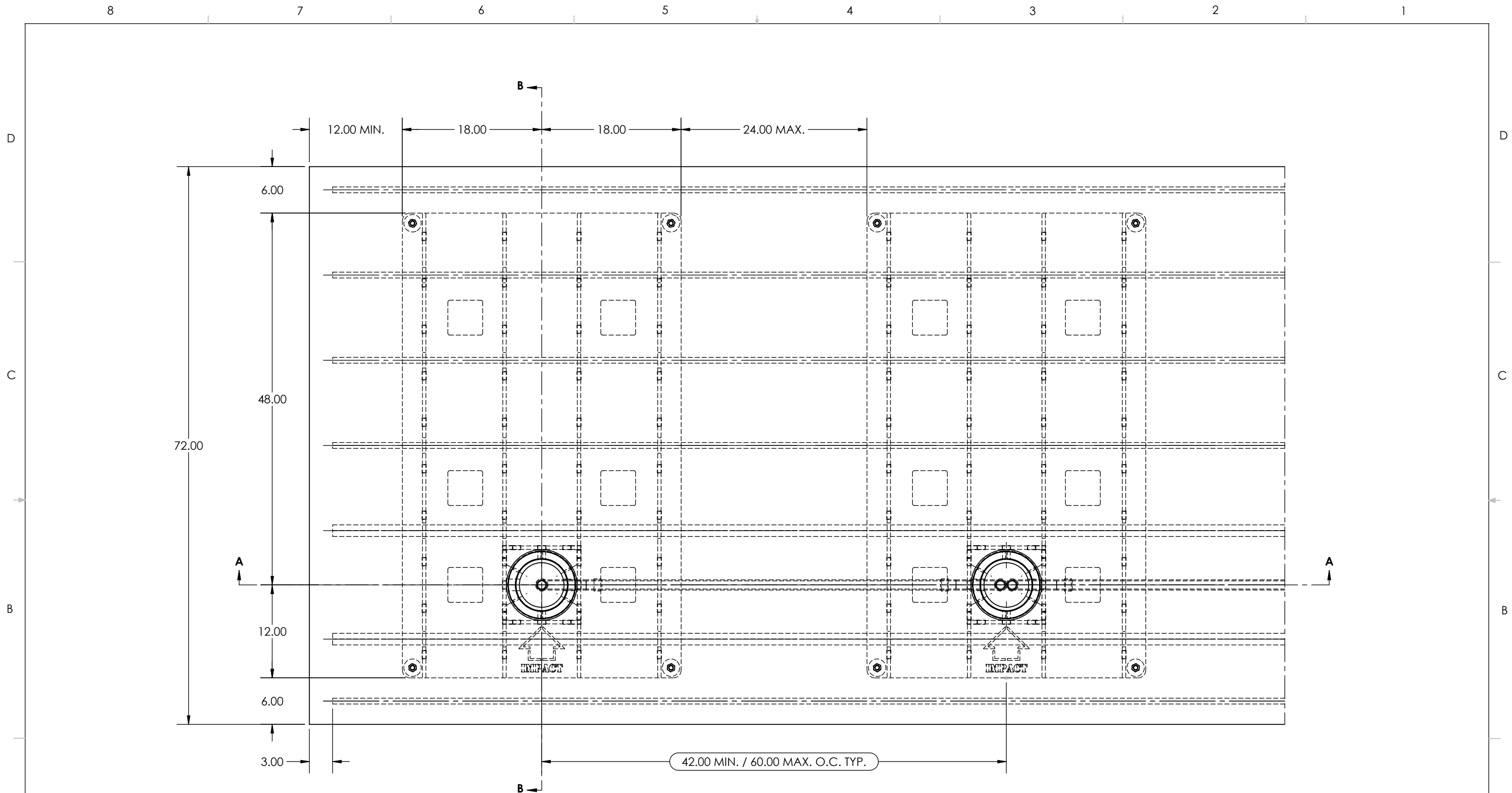
D  
C  
B  
A



**ISOMETRIC VIEW  
SECURITY CORE WELDMENT**

<b>UNLESS OTHERWISE SPECIFIED:</b> 1. PRIMARY DIM. ARE IN INCHES & SECONDARY [DIM] IN MM 2. TOLERANCES FRACTIONAL: ±1/32; ANGULAR/BEND: ±1° TWO PLACE DECIMAL ±.030 THREE PLACE DECIMAL ±.020 3. REMOVE ALL BURRS AND SHARP EDGES				30 Pine Street, Pittsburgh, PA 15223 Tel (412) 781-9003 Fax (412) 781-7840	
		NAME DWN YAF	DATE 06/23/2023	DESCRIPTION: <b>FORMS+SURFACES</b> <b>M30-P1 SHALLOW SECURITY CORE</b> <b>INDIVIDUAL FOUNDATION, WITH PAVER</b>	
MATERIAL: N/A		DO NOT SCALE DRAWING		SIZE B	
FINISH: N/A		<b>PROPRIETARY AND CONFIDENTIAL</b> <small>THE INFORMATION CONTAINED IN THIS DRAWING IS THE SOLE PROPERTY OF FORMS + SURFACES. ANY REPRODUCTION IN PART OR AS A WHOLE WITHOUT WRITTEN PERMISSION IS PROHIBITED.</small>		DWG. NO. M30-SH-IND-PV-INSTALL	REV 0
WEIGHT: N/A		SCALE: NOT TO SCALE		SHEET 3 OF 3	

8 7 6 5 4 3 2 1



TOP VIEW

**UNLESS OTHERWISE SPECIFIED:**  
 1. PRIMARY DIM. ARE IN INCHES & SECONDARY [DIM] IN MM  
 2. TOLERANCES  
 FRACTIONAL: ±1/32; ANGULAR/BEND: ±1°  
 TWO PLACE DECIMAL ±.030  
 THREE PLACE DECIMAL ±.020  
 3. REMOVE ALL BURRS AND SHARP EDGES

THIRD ANGLE PROJECTION

MATERIAL: N/A  
 FINISH: N/A  
 WEIGHT: N/A  
 SCALE: NOT TO SCALE

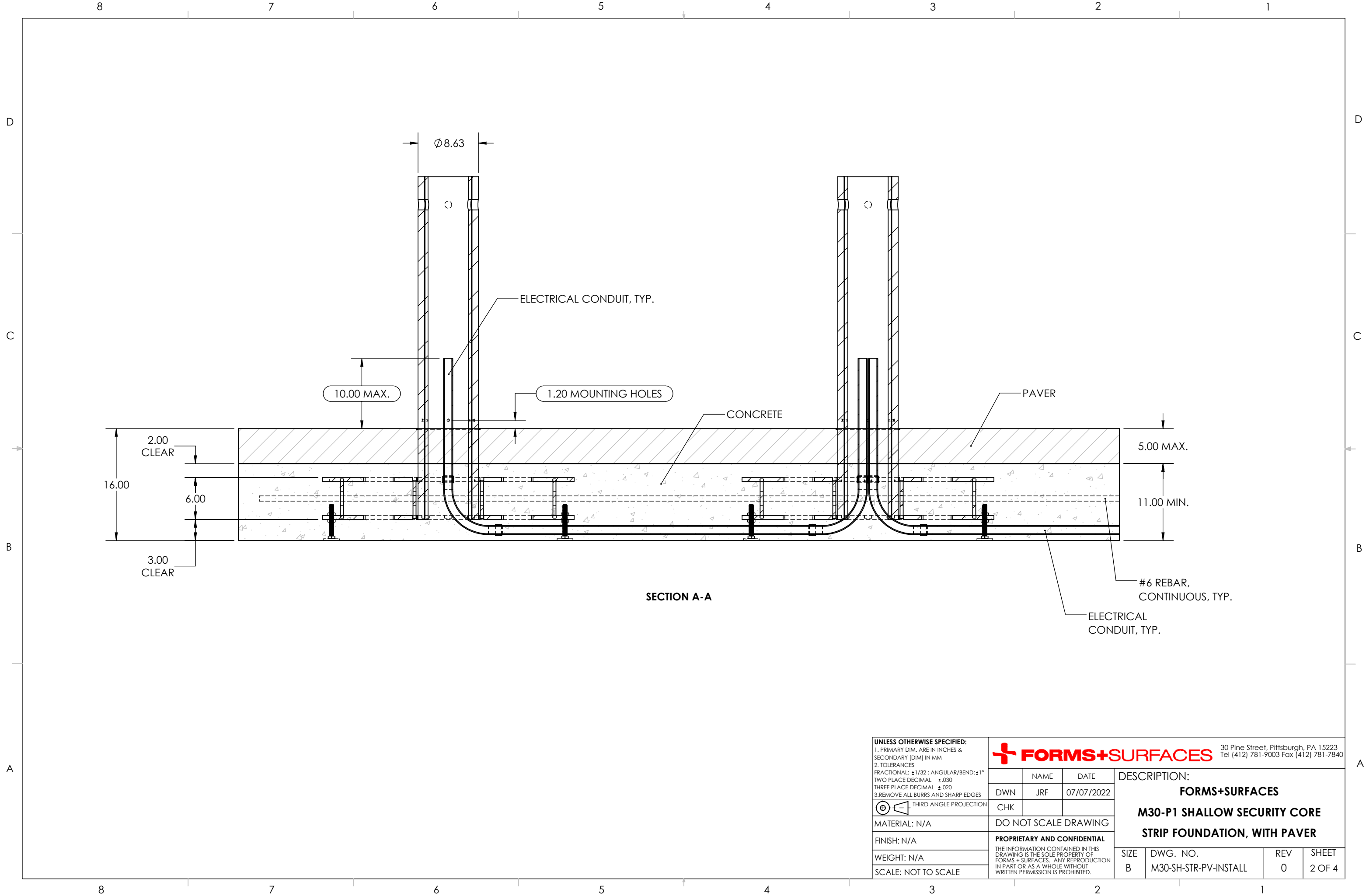
**FORMS+SURFACES** 30 Pine Street, Pittsburgh, PA 15223  
 Tel (412) 781-9003 Fax (412) 781-7840

NAME	DATE
DWN JRF	07/07/2022
CHK	

DESCRIPTION:			
<b>FORMS+SURFACES</b>			
<b>M30-P1 SHALLOW SECURITY CORE STRIP FOUNDATION, WITH PAVER</b>			
SIZE	DWG. NO.	REV	SHEET
B	M30-SH-STR-PV-INSTALL	0	1 OF 4

REV.	DESCRIPTION	REVISED BY	DATE
0	INITIAL RELEASE	-----	-----

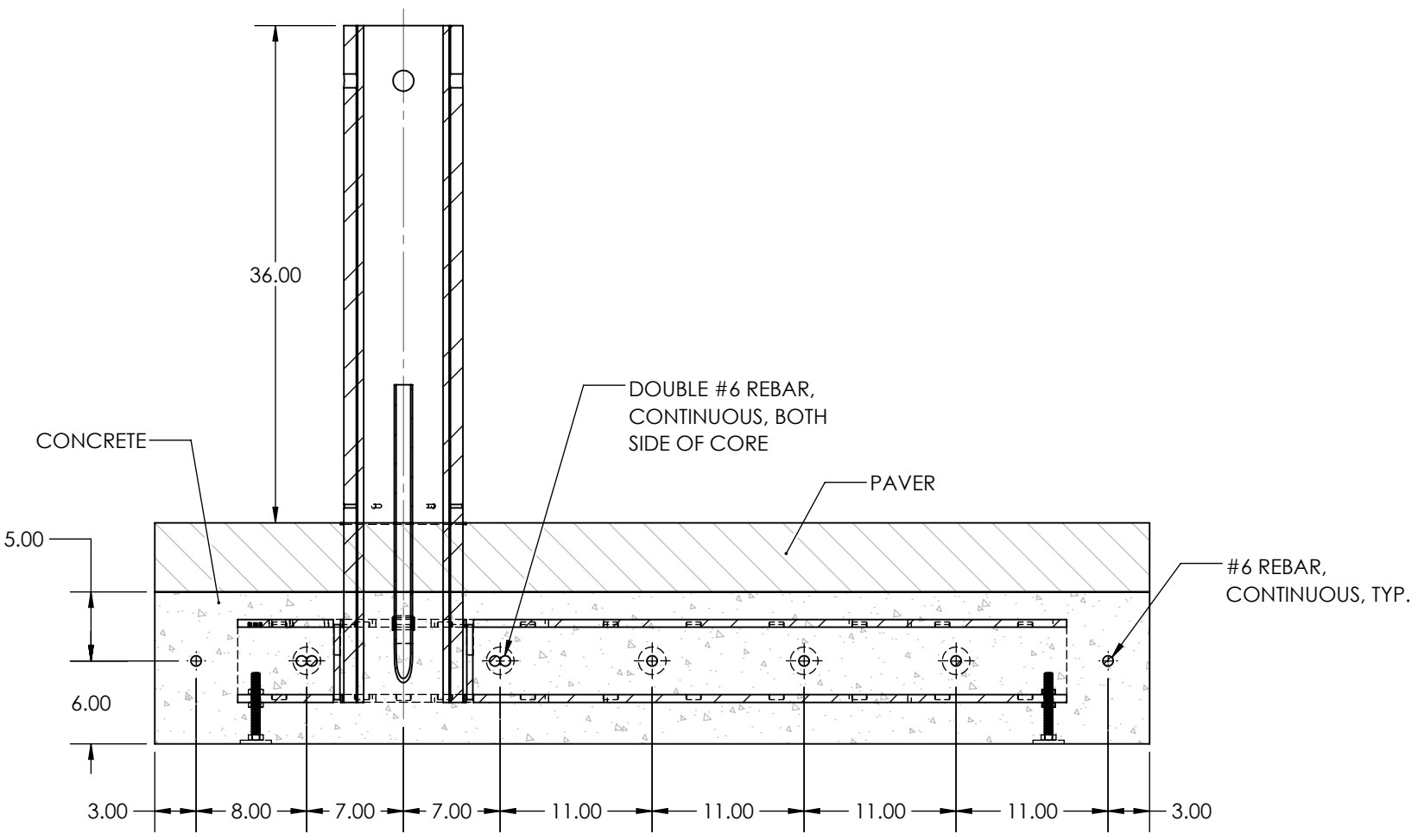




SECTION A-A

<b>UNLESS OTHERWISE SPECIFIED:</b> 1. PRIMARY DIM. ARE IN INCHES & SECONDARY [DIM] IN MM 2. TOLERANCES FRACTIONAL: ±1/32; ANGULAR/BEND: ±1° TWO PLACE DECIMAL ±.030 THREE PLACE DECIMAL ±.020 3. REMOVE ALL BURRS AND SHARP EDGES THIRD ANGLE PROJECTION				30 Pine Street, Pittsburgh, PA 15223 Tel (412) 781-9003 Fax (412) 781-7840	
NAME	DATE	DESCRIPTION:			
DWN	JRF 07/07/2022	<b>FORMS+SURFACES</b> <b>M30-P1 SHALLOW SECURITY CORE STRIP FOUNDATION, WITH PAVER</b>			
CHK					
MATERIAL: N/A		DO NOT SCALE DRAWING			
FINISH: N/A		<b>PROPRIETARY AND CONFIDENTIAL</b> THE INFORMATION CONTAINED IN THIS DRAWING IS THE SOLE PROPERTY OF FORMS + SURFACES. ANY REPRODUCTION IN PART OR AS A WHOLE WITHOUT WRITTEN PERMISSION IS PROHIBITED.			
WEIGHT: N/A		SIZE	DWG. NO.	REV	SHEET
SCALE: NOT TO SCALE		B	M30-SH-STR-PV-INSTALL	0	2 OF 4

D  
C  
B  
A



SECTION B-B

NOTES:

1. FOOTINGS HAVE BEEN DESIGNED TO BEAR ON UNDISTURBED SOIL OR PROPERLY COMPACTED ENGINEERED FILL ASSUMING A NET BEARING CAPACITY OF 2000 PSF.
2. REINFORCED CONCRETE WORK SHALL BE DONE IN ACCORDANCE WITH THE "BUILDING CODE REQUIREMENTS FOR REINFORCED CONCRETE" (ACI 318) AND THE SPECIFICATIONS FOR STRUCTURAL CONCRETE (ACI 301) OF THE AMERICAN CONCRETE INSTITUTE (EDITIONS AS REQUIRED BY GOVERNING CODE).
3. CAST-IN-PLACE CONCRETE SHALL BE NORMAL WEIGHT CONCRETE WITH A MINIMUM 28-DAY COMPRESSIVE STRENGTH (F'c) OF 5000 PSI UNO.
4. PROVIDE 6% (+/-1.5%) AIR ENTRAINMENT IN CONCRETE EXPOSED TO FREEZE/THAW.
5. DEFORMED BAR REINFORCEMENT SHALL BE ASTM A615, GRADE 60; SEE CHART FOR SIZING.
6. REINFORCEMENT SHALL BE SECURELY HELD IN PLACE WHILE PLACING CONCRETE. IF REQUIRED, ADDITIONAL BARS, STIRRUPS, OR CHAIRS SHALL BE PROVIDED TO FURNISH SUPPORT FOR SPECIFIED BARS.

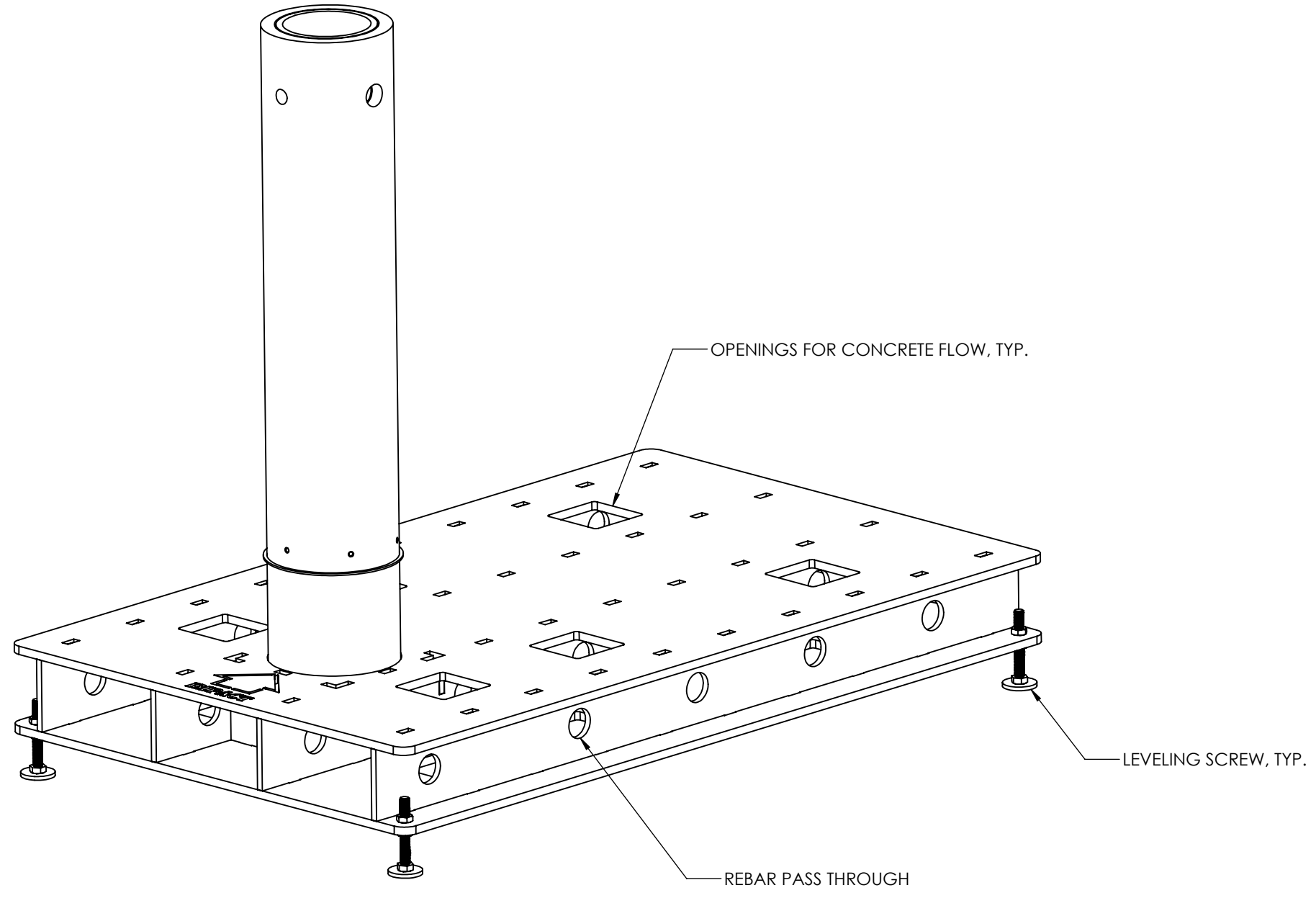
REBAR CHART	
BAR SIZE	DIAMETER
#6	Ø 0.750

<p><b>UNLESS OTHERWISE SPECIFIED:</b>                  1. PRIMARY DIM. ARE IN INCHES &amp; SECONDARY [DIM] IN MM                  2. TOLERANCES                  FRACTIONAL: ±1/32; ANGULAR/BEND: ±1°                  TWO PLACE DECIMAL ±.030                  THREE PLACE DECIMAL ±.020                  3. REMOVE ALL BURRS AND SHARP EDGES</p>		<p><b>FORMS+SURFACES</b> 30 Pine Street, Pittsburgh, PA 15223                  Tel (412) 781-9003 Fax (412) 781-7840</p>	
<p>THIRD ANGLE PROJECTION</p>	<p>NAME: DWN                  DATE: JRF 07/07/2022</p>	<p>DESCRIPTION:  <b>FORMS+SURFACES</b>  <b>M30-P1 SHALLOW SECURITY CORE STRIP FOUNDATION, WITH PAVER</b></p>	
<p>MATERIAL: N/A</p>	<p>CHK: _____</p>	<p>DO NOT SCALE DRAWING</p>	
<p>FINISH: N/A</p>	<p><b>PROPRIETARY AND CONFIDENTIAL</b>                  THE INFORMATION CONTAINED IN THIS DRAWING IS THE SOLE PROPERTY OF FORMS + SURFACES. ANY REPRODUCTION IN PART OR AS A WHOLE WITHOUT WRITTEN PERMISSION IS PROHIBITED.</p>		
<p>WEIGHT: N/A</p>	<p>SIZE: B</p>	<p>DWG. NO.: M30-SH-STR-PV-INSTALL</p>	<p>REV: 0</p>
<p>SCALE: NOT TO SCALE</p>	<p>SHEET: 3 OF 4</p>		<p>SHEET: 3 OF 4</p>

8 7 6 5 4 3 2 1

D  
C  
B  
A

D  
C  
B  
A



ISOMETRIC VIEW  
SECURITY CORE WELDMENT

<b>UNLESS OTHERWISE SPECIFIED:</b> 1. PRIMARY DIM. ARE IN INCHES & SECONDARY [DIM] IN MM 2. TOLERANCES FRACTIONAL: ±1/32; ANGULAR/BEND: ±1° TWO PLACE DECIMAL ±.030 THREE PLACE DECIMAL ±.020 3. REMOVE ALL BURRS AND SHARP EDGES				30 Pine Street, Pittsburgh, PA 15223 Tel (412) 781-9003 Fax (412) 781-7840	
		NAME	DATE	DESCRIPTION: <b>FORMS+SURFACES</b> <b>M30-P1 SHALLOW SECURITY CORE STRIP FOUNDATION, WITH PAVER</b>	
MATERIAL: N/A		DWN	JRF 07/07/2022		
FINISH: N/A		CHK		SIZE DWG. NO. REV SHEET B M30-SH-STR-PV-INSTALL 0 4 OF 4	
WEIGHT: N/A		DO NOT SCALE DRAWING			
SCALE: NOT TO SCALE		<b>PROPRIETARY AND CONFIDENTIAL</b> THE INFORMATION CONTAINED IN THIS DRAWING IS THE SOLE PROPERTY OF FORMS + SURFACES. ANY REPRODUCTION IN PART OR AS A WHOLE WITHOUT WRITTEN PERMISSION IS PROHIBITED.			

8 7 6 5 4 3 2 1